

THE MATTHEW WAS THE SHIP ON WHICH EXPLORER JOHN CABOT SAILED TO THE NEW WORLD IN 1497.

ALTHOUGH A LITTLE LATER THAN CHRISTOPHER COLUMBUS' INITIAL VOYAGE, IT IS WIDELY DEBATED AMONG THE SCHOLARS THAT JOHN CABOT LANDED ON MAINLAND NORTH AMERICA AHEAD OF COLUMBUS. IN FACT A FULL 14 MONTHS EARLIER.

IN 1997 A REPLICA, BELIEVED TO BE REPRESENTATIVE OF THE TYPE OF SHIP THAT JOHN CABOT SAILED, AGAIN MADE THE VOYAGE FROM BRISTOL ENGLAND, TO BONAVISTA BAY, NEWFOUNDLAND TO CELEBRATE THE 500TH ANNIVERSARY OF HIS LANDING.

ANOTHER REPLICA HAD BEEN BUILT AND REMAINS IN BONAVISTA WHERE PEOPLE CAN VISIT HER TO THIS DAY. IT IS MAINLY ON THE INFORMATION ACQUIRED FROM THIS REPLICA THAT THESE MODELING PLANS OF THE MATTHEW IS BASED.



ModelShipBuilder

PREPARED BY
J. STAUDT

DATE
AUG. 3, 2009

CHECKED BY
W. SCOVILLE

DATE
AUG. 6, 2009

TITLE

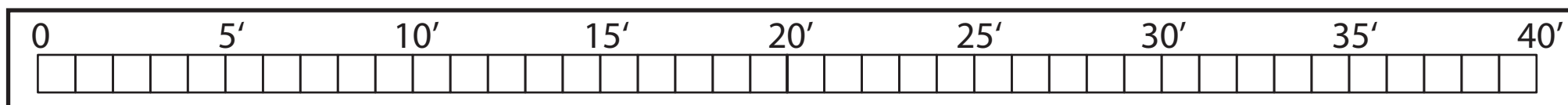
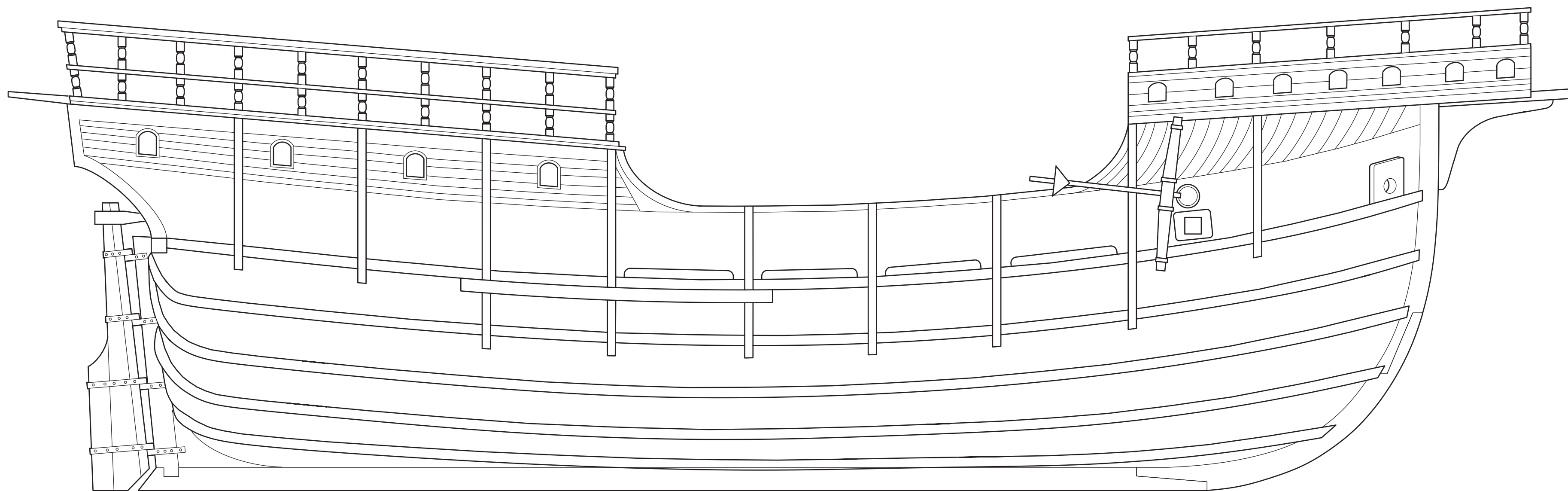
John Cabot's Ship
THE MATTHEW

OUTBOARD PROFILE

DWG NO
MAT-2009-001

SCALE
1/8" = 1'-0"

SHEET **1** OF **17**



ModelShipBuilder

PREPARED BY
J. STAUDT

DATE
AUG. 3, 2009

CHECKED BY
W. SCOVILLE

DATE
AUG. 6, 2009

TITLE

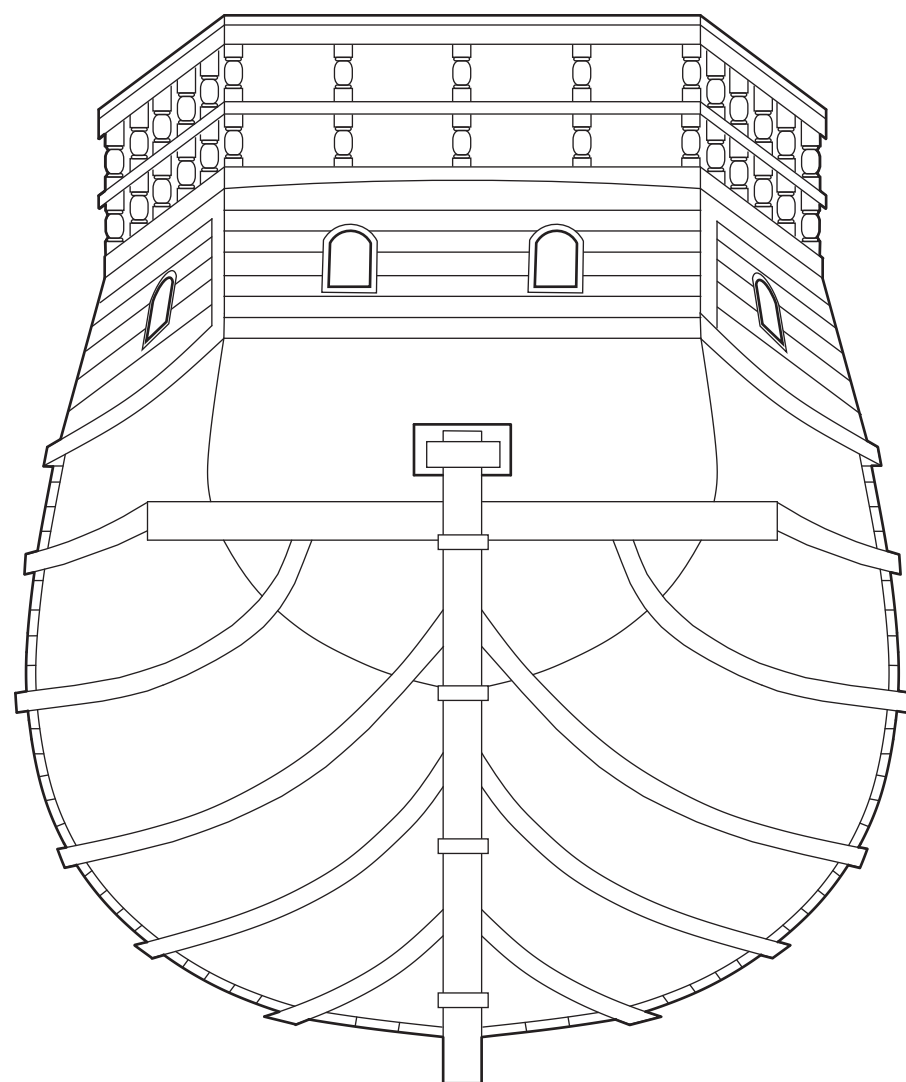
John Cabot's Ship
THE MATTHEW

OUTBOARD PROFILE

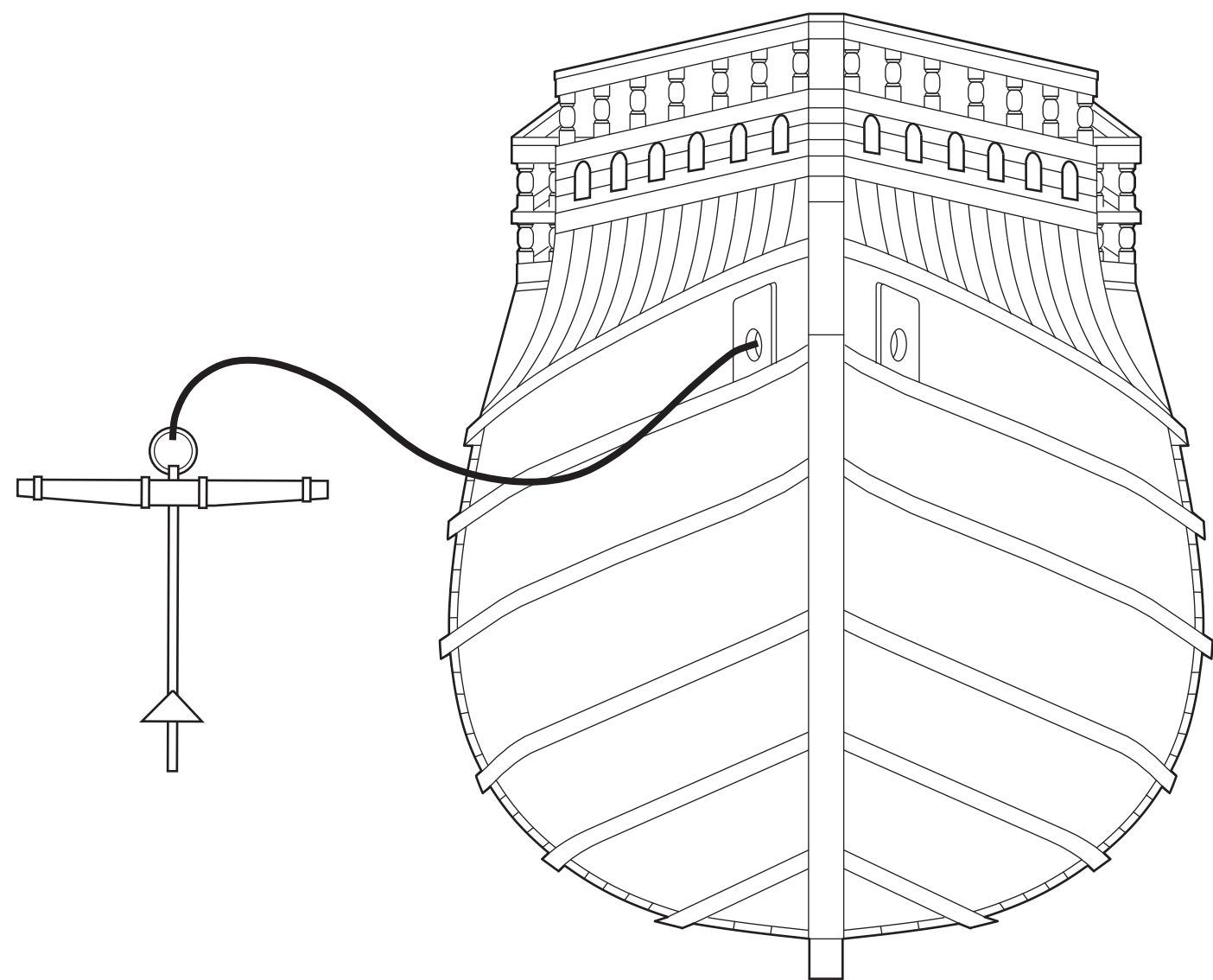
DWG NO
MAT-2009-002

SCALE
1/4" = 1'-0"

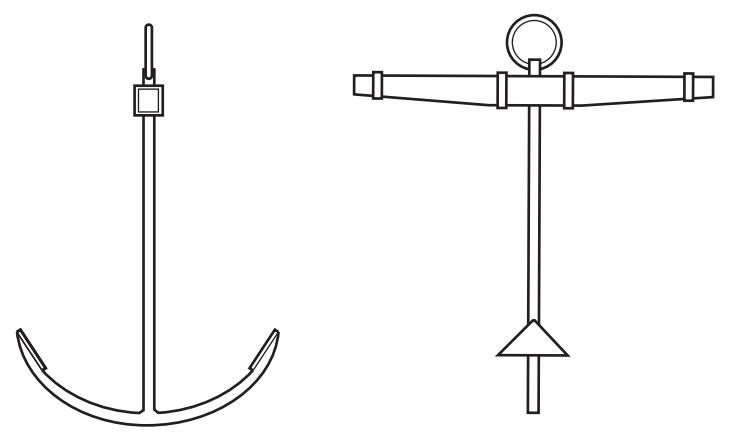
SHEET **2** OF **17**



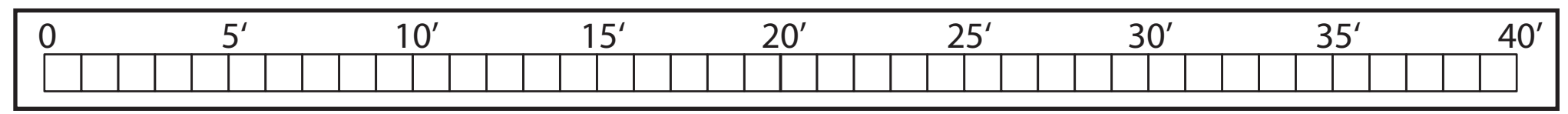
VIEW LOOKING FORWARD




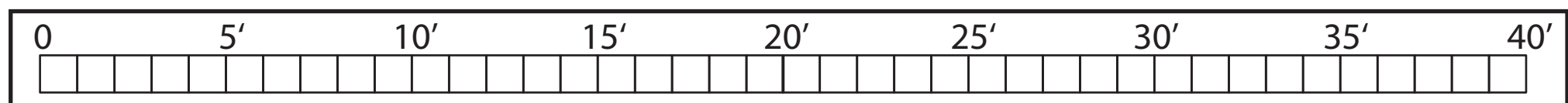
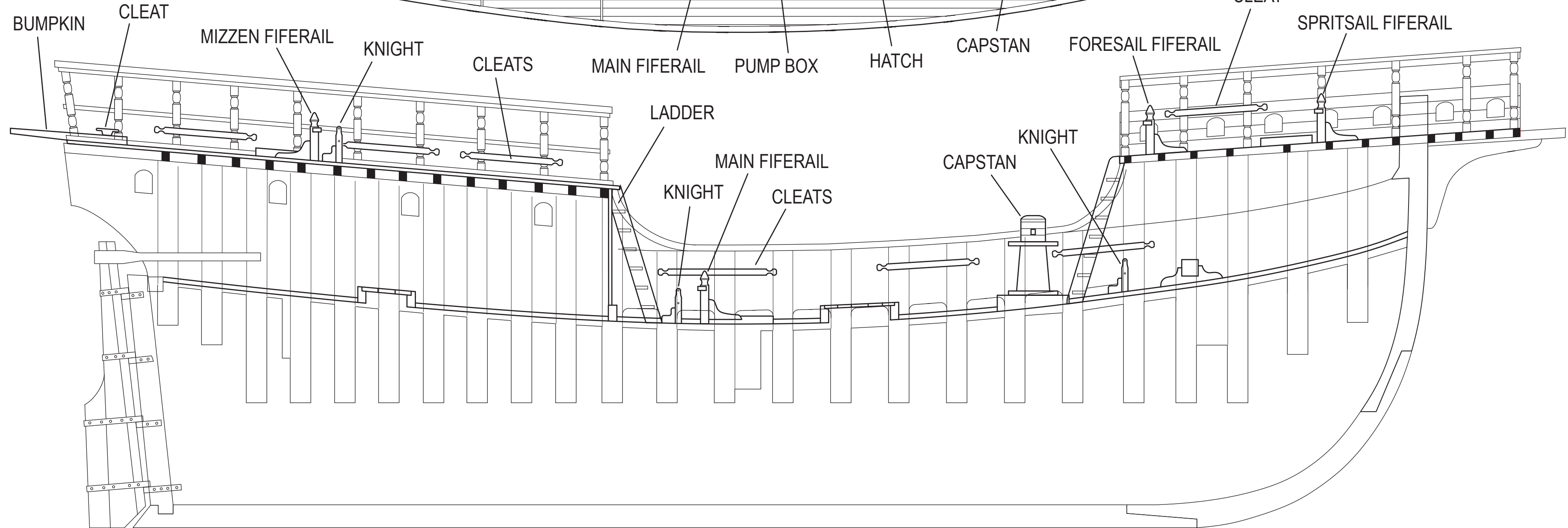
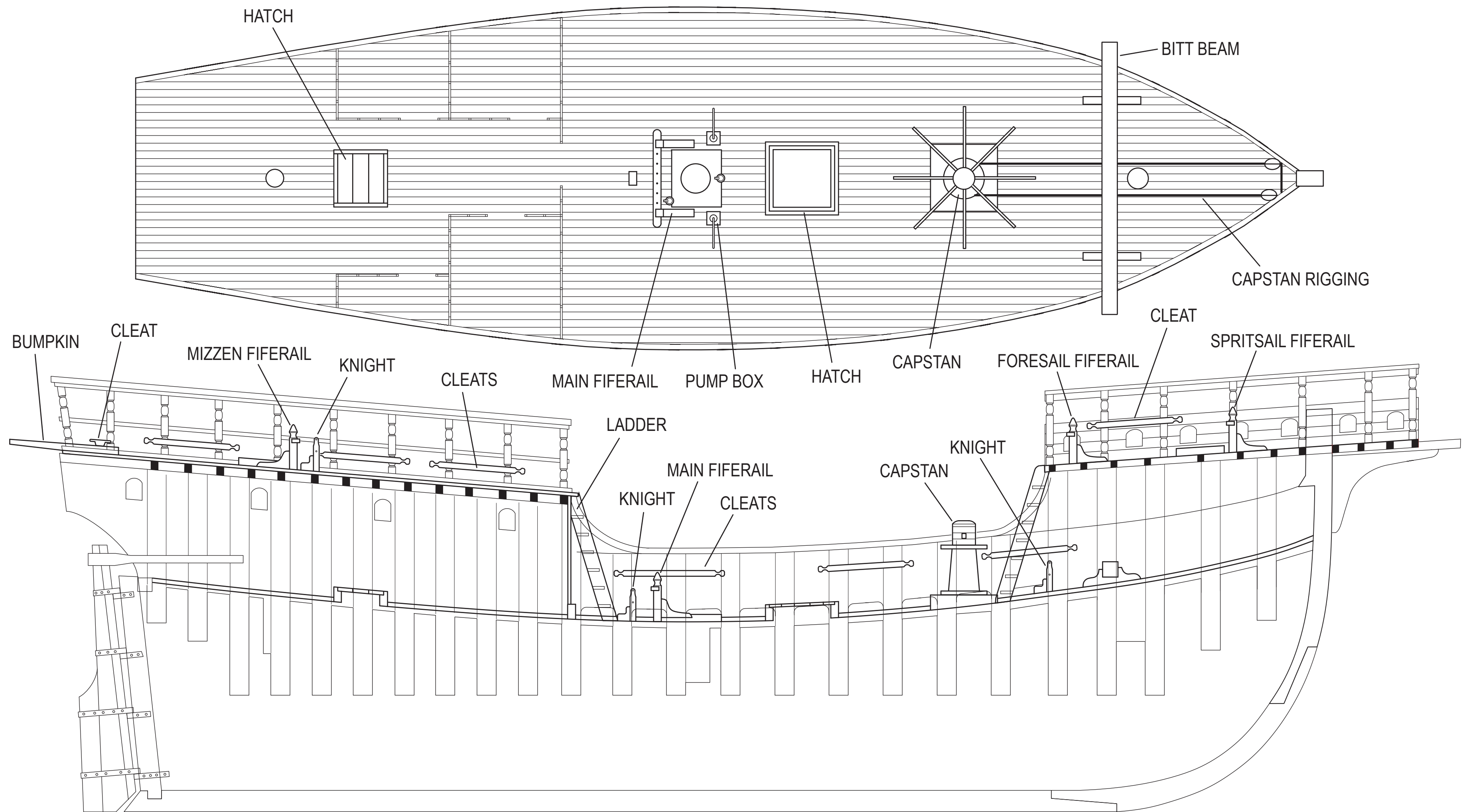
VIEW LOOKING ASTERN



ANCHOR DETAIL



 ModelShipBuilder	John Cabot's Ship THE MATTHEW	
	TITLE OUTBOARD PROFILE	
PREPARED BY J. STAUDT	DATE AUG. 3, 2009	DWG NO MAT-2009-003
CHECKED BY W. SCOVILLE	DATE AUG. 6, 2009	SCALE 1/4" = 1'-0"
		SHEET 3 OF 17



ModelShipBuilder

PREPARED BY
J. STAUDT
DATE
AUG. 3, 2009
CHECKED BY
W. SCOVILLE
DATE
AUG. 6, 2009

John Cabot's Ship
THE MATTHEW

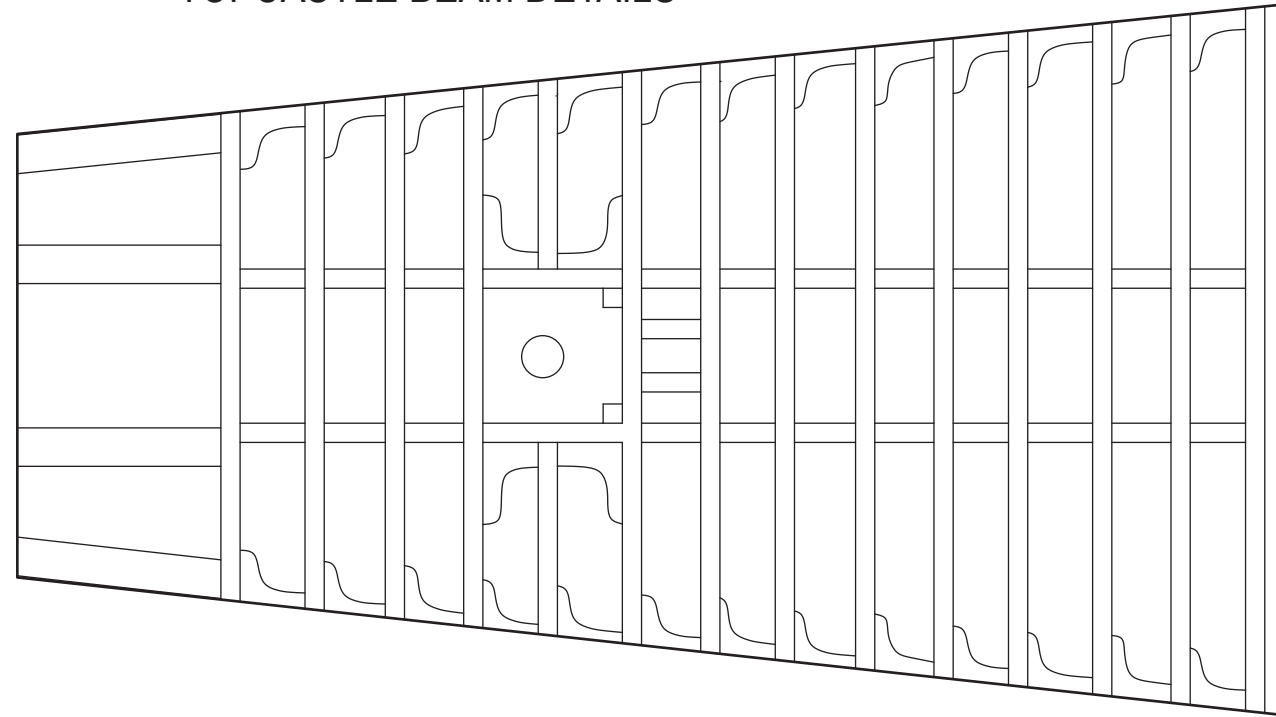
TITLE
DECK ARRANGEMENT

DWG NO
MAT-2009-004

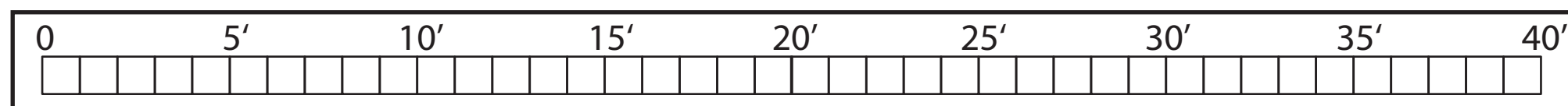
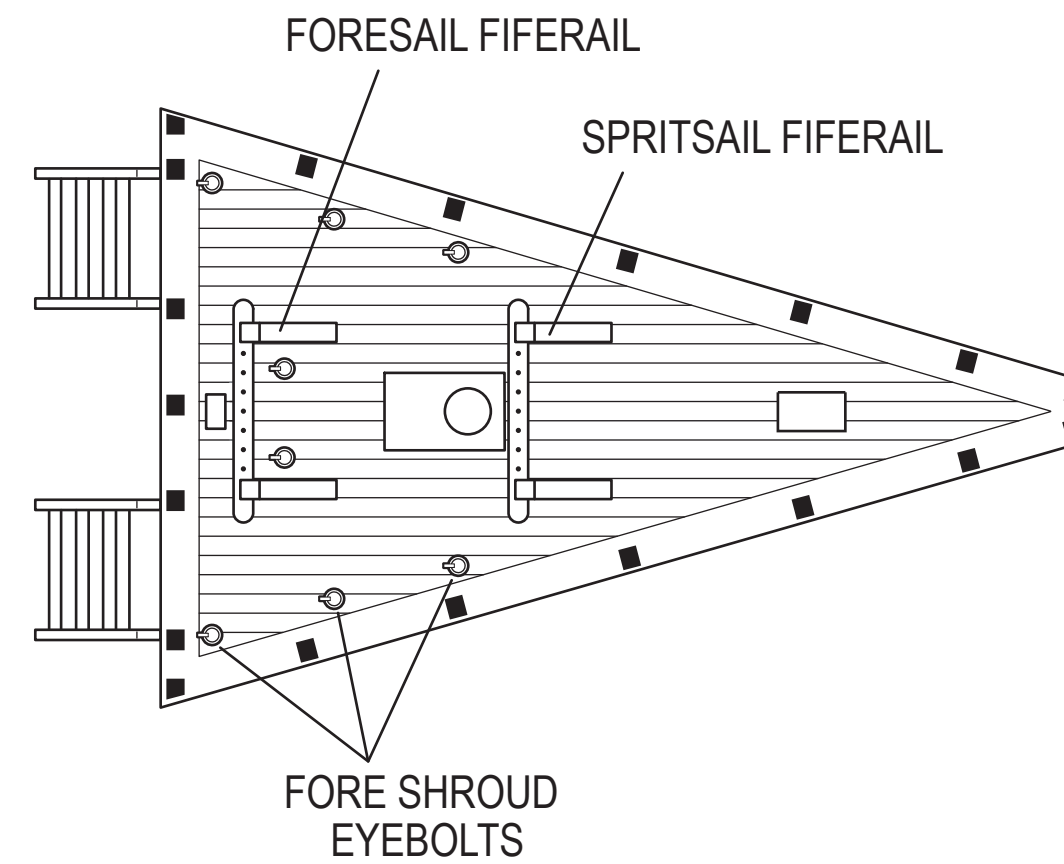
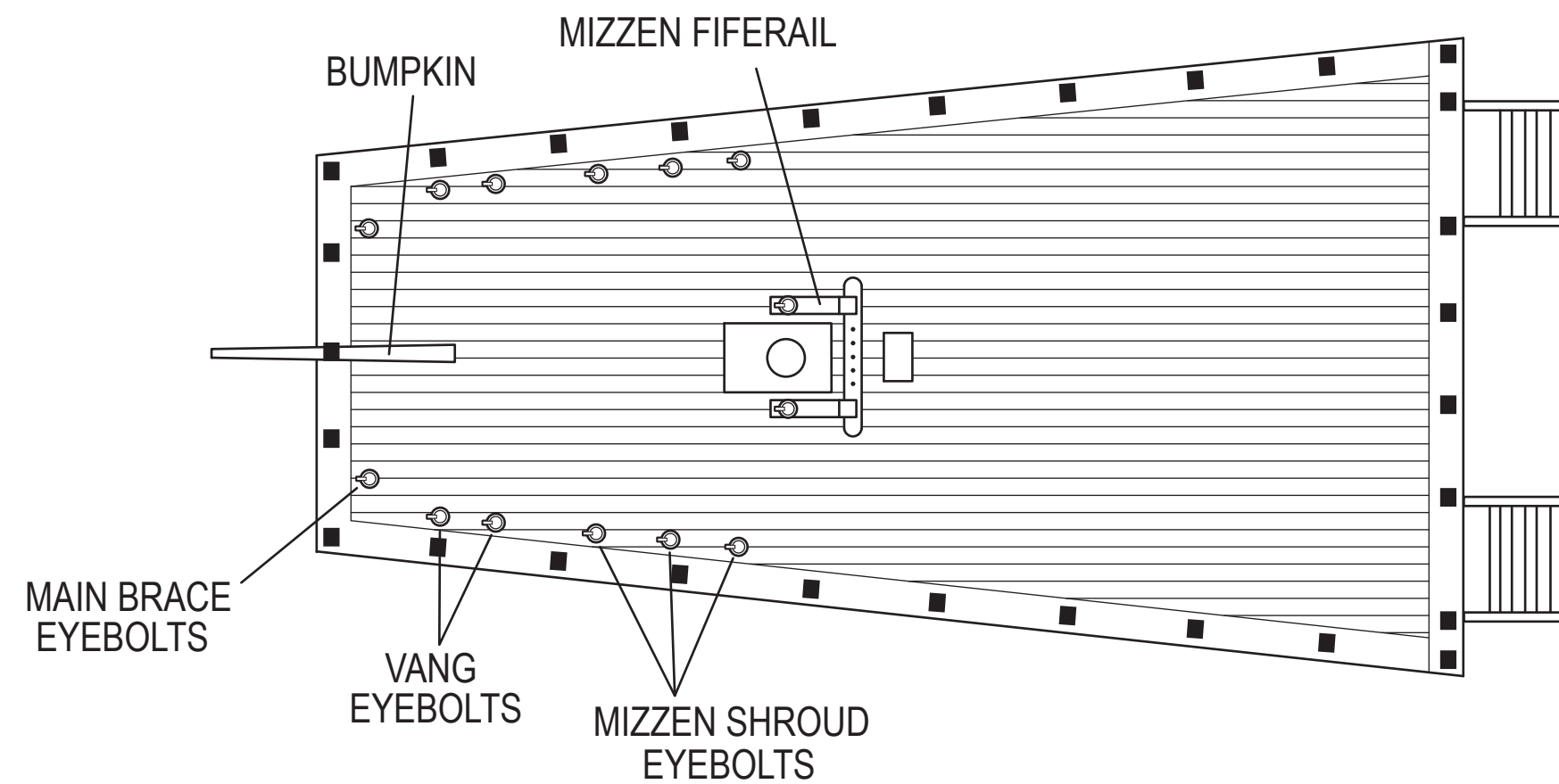
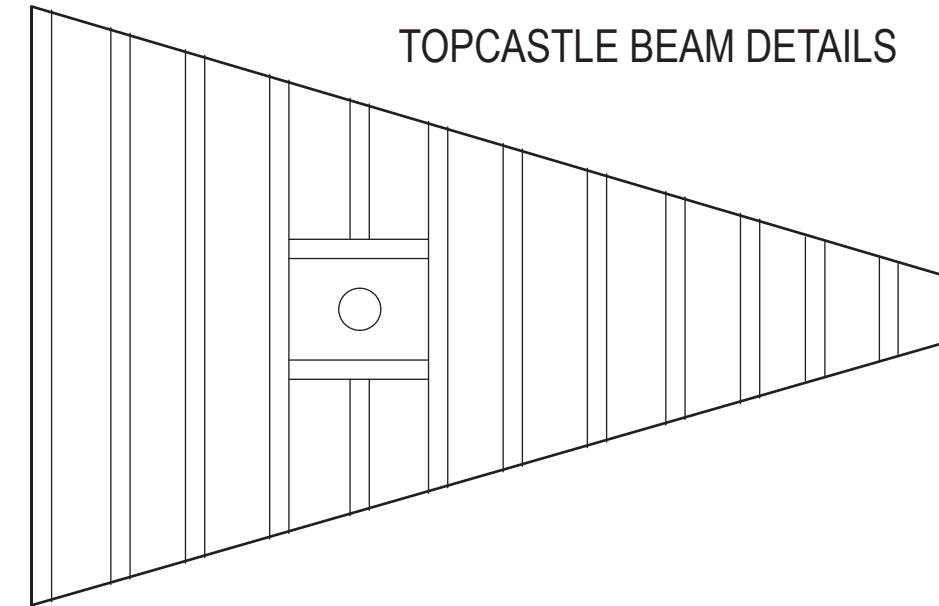
SCALE
1/4" = 1'-0"

SHEET **4** OF **17**

TOPCASTLE BEAM DETAILS



TOPCASTLE BEAM DETAILS



ModelShipBuilder

PREPARED BY
J. STAUDT

DATE
AUG. 3, 2009

CHECKED BY
W. SCOVILLE

DATE
AUG. 6, 2009

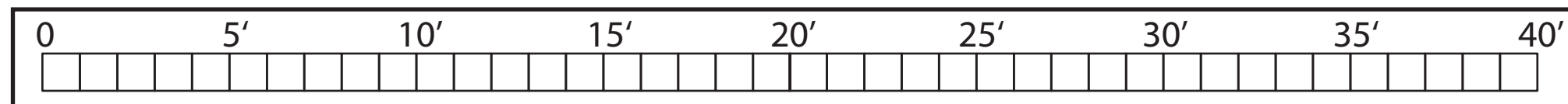
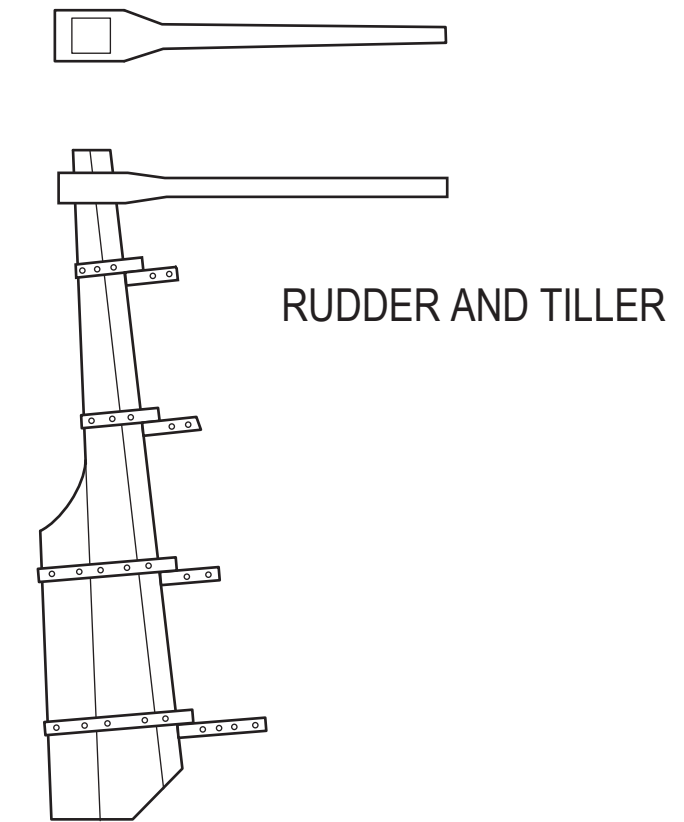
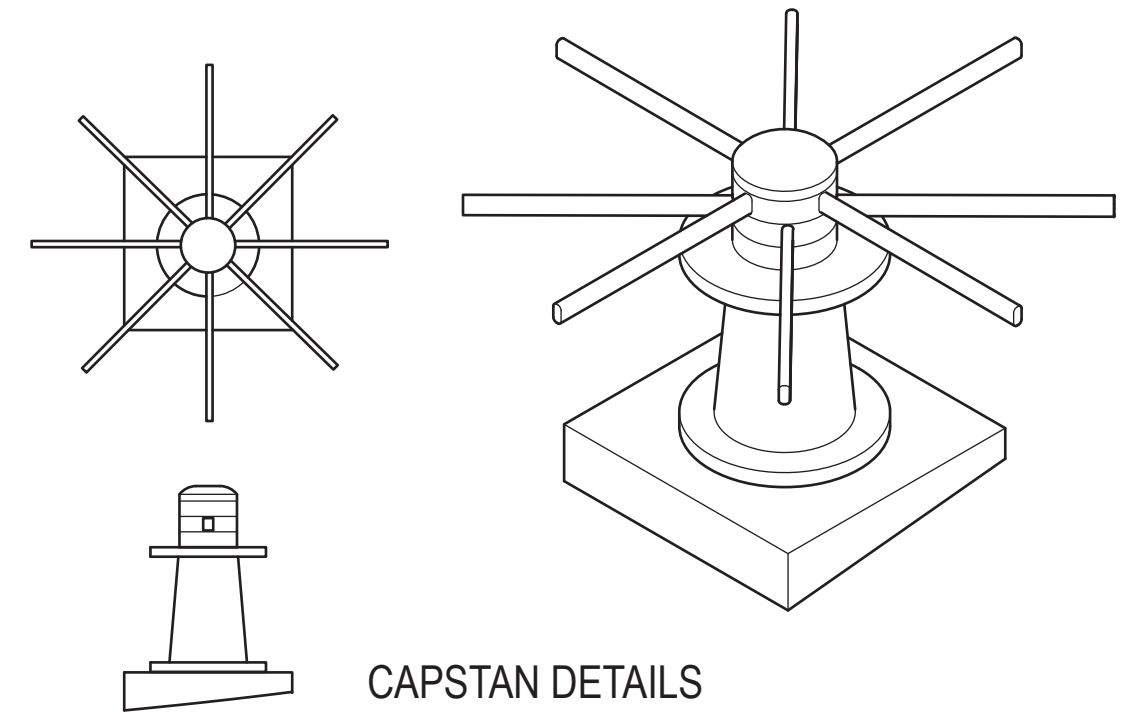
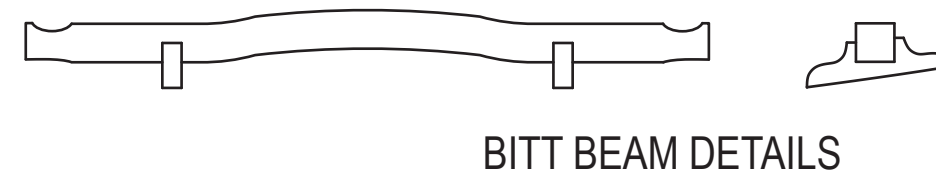
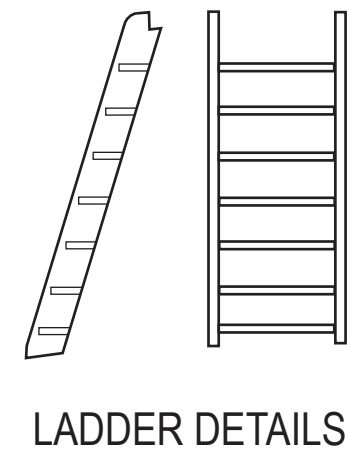
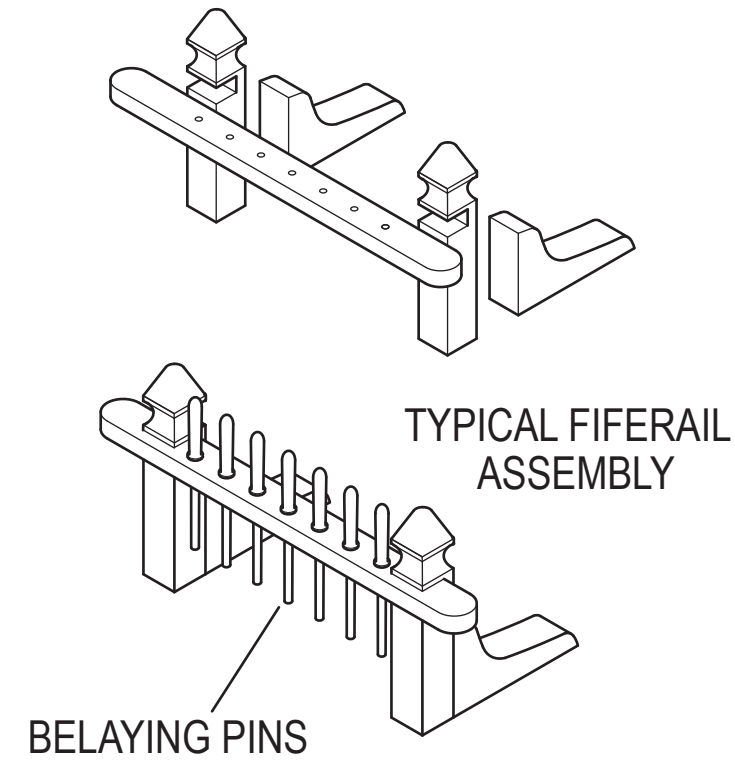
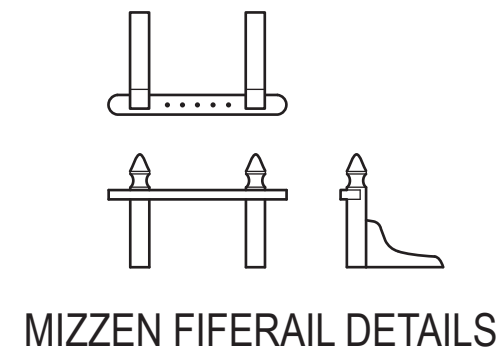
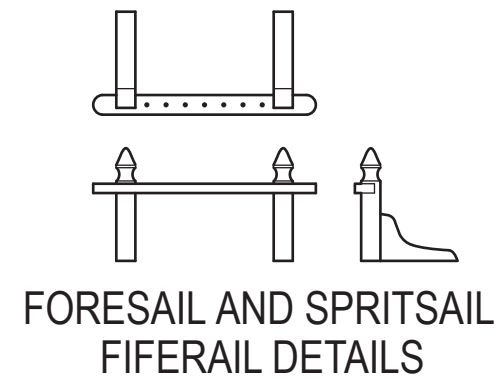
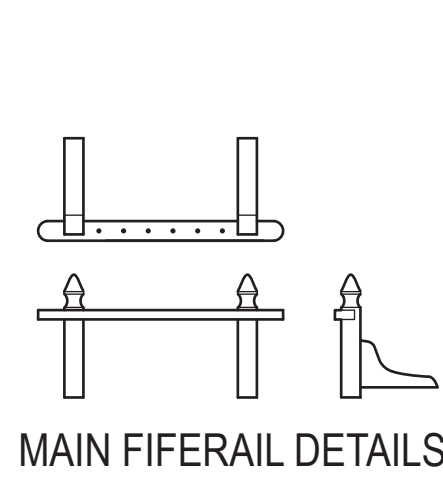
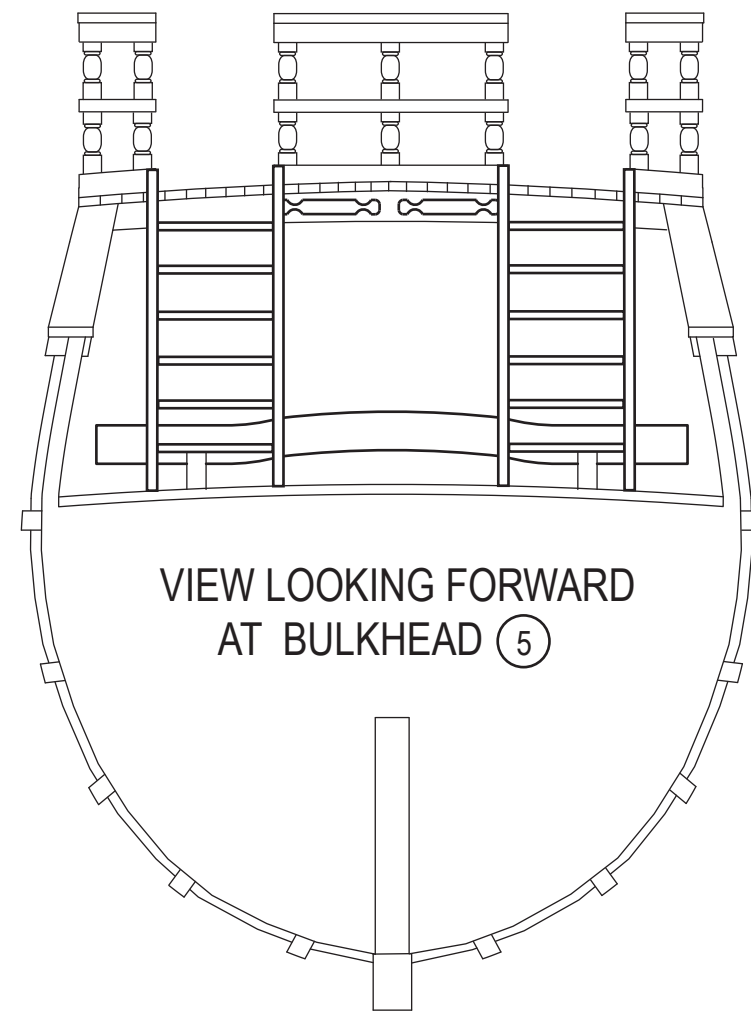
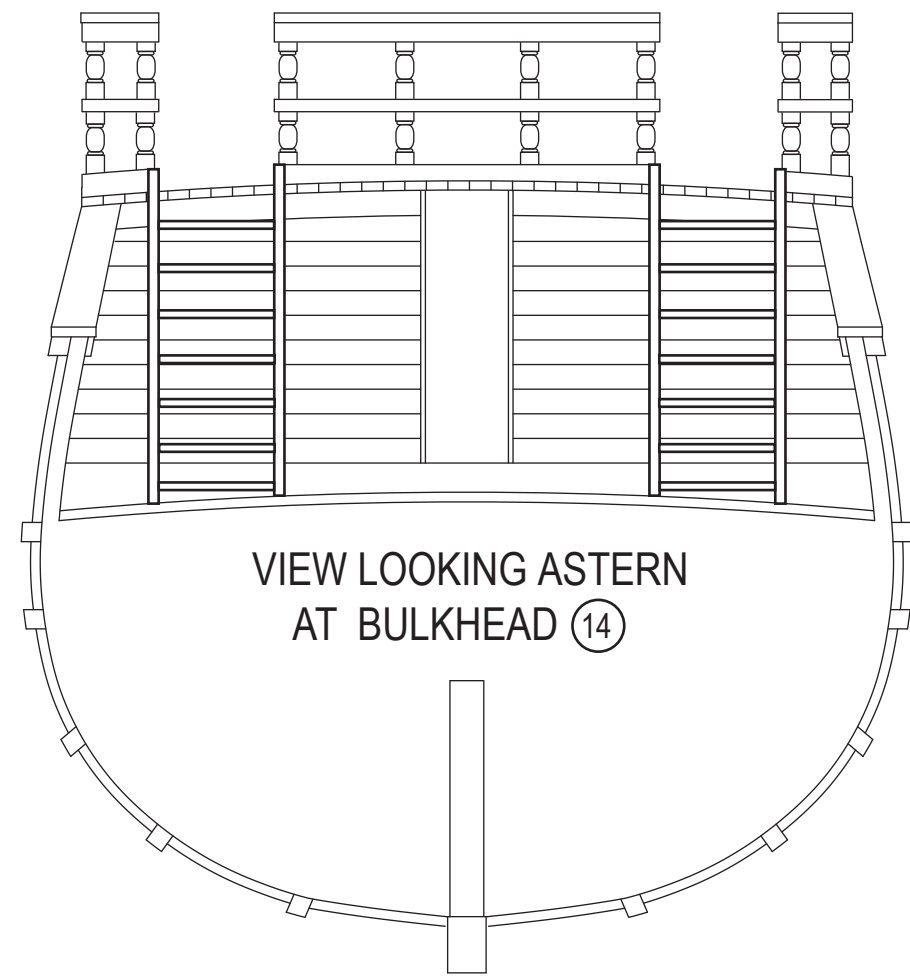
TITLE
DECK ARRANGEMENT


DWG NO
MAT-2009-005

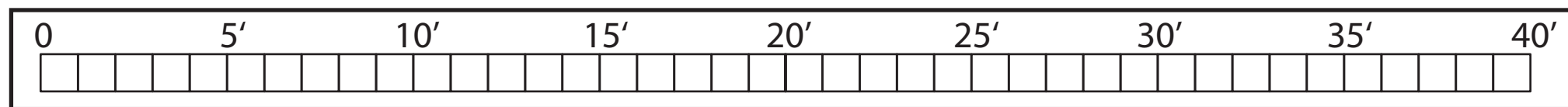
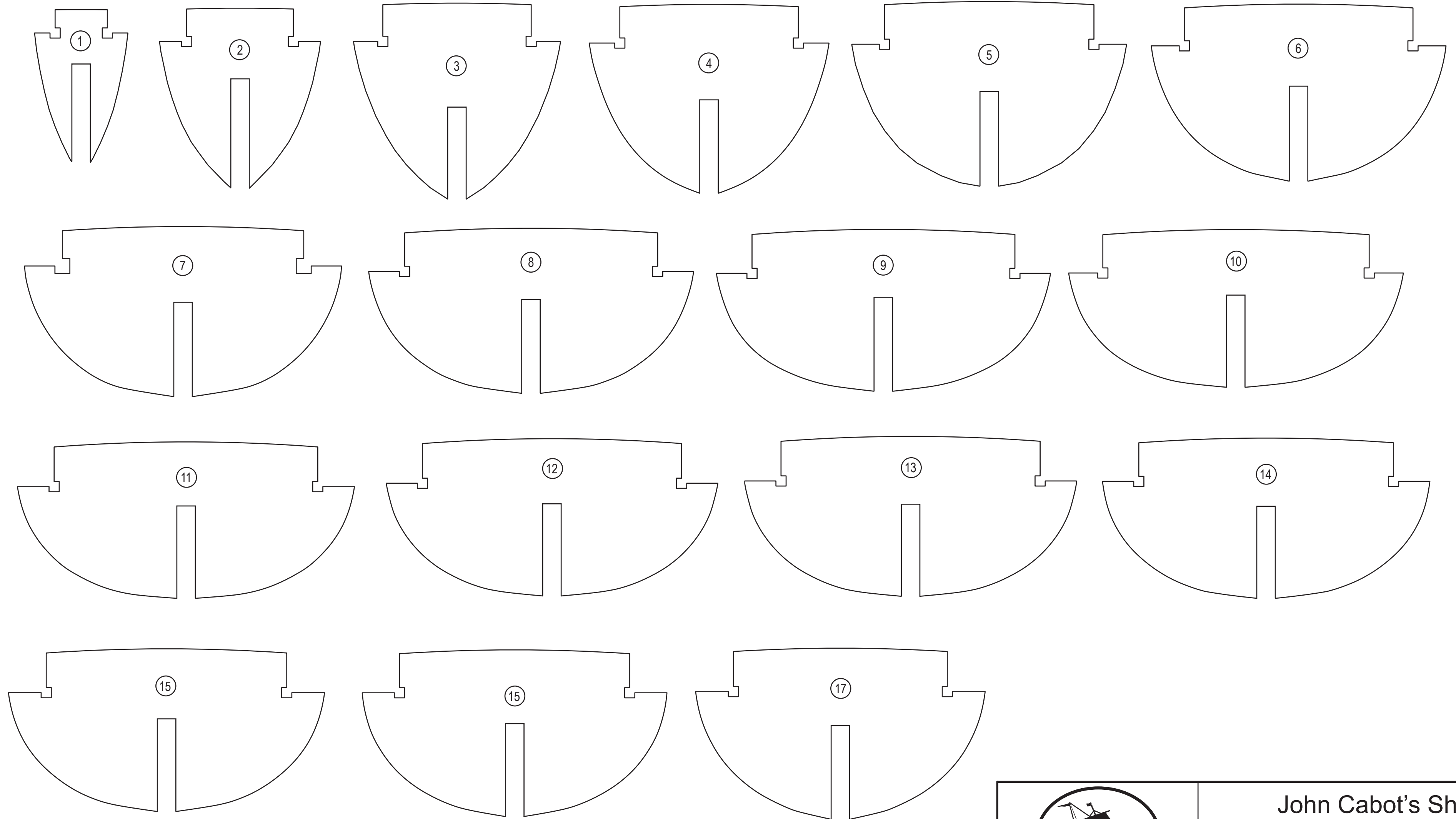
SCALE
1/4" = 1'-0"

SHEET **5** OF **17**

John Cabot's Ship
THE MATTHEW



 ModelShipBuilder	John Cabot's Ship THE MATTHEW	
	TITLE DECK ARRANGEMENT	
PREPARED BY J. STAUDT	DATE AUG. 3, 2009	DWG NO MAT-2009-006
CHECKED BY W. SCOVILLE	DATE AUG. 6, 2009	SCALE 1/4" = 1'-0"
		SHEET 6 OF 17



ModelShipBuilder

PREPARED BY
J. STAUDT

DATE
AUG. 3, 2009

CHECKED BY
W. SCOVILLE

DATE
AUG. 6, 2009

TITLE

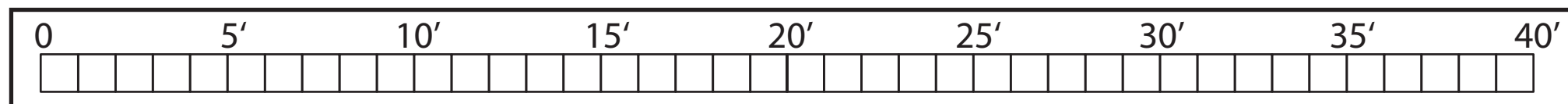
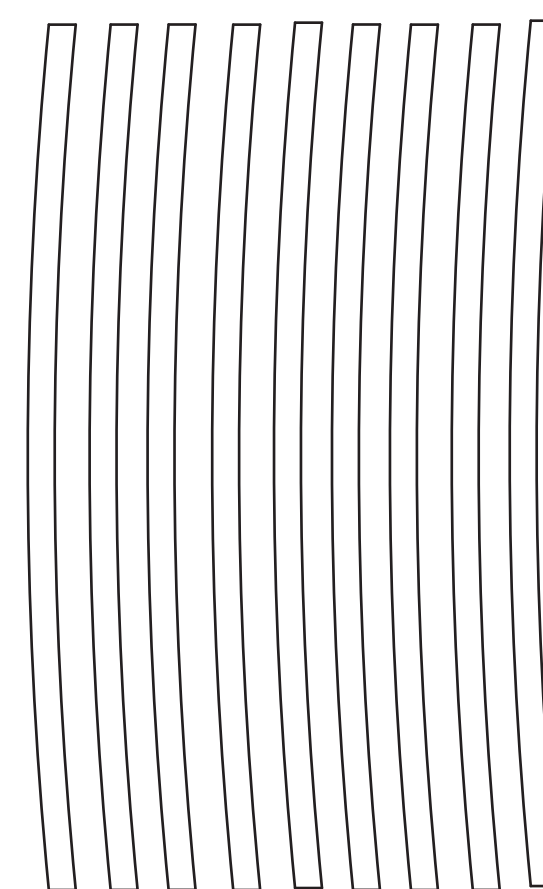
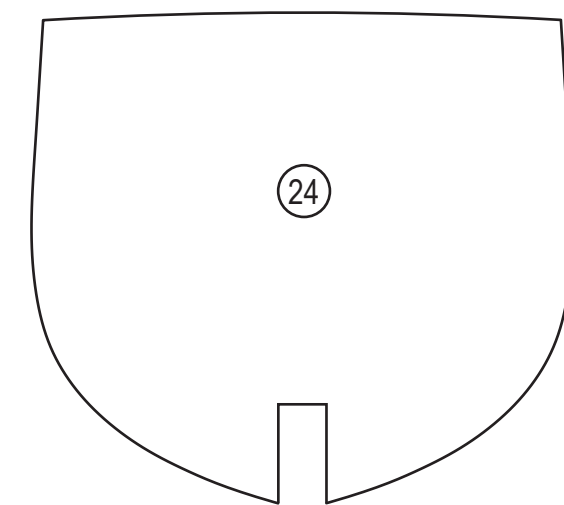
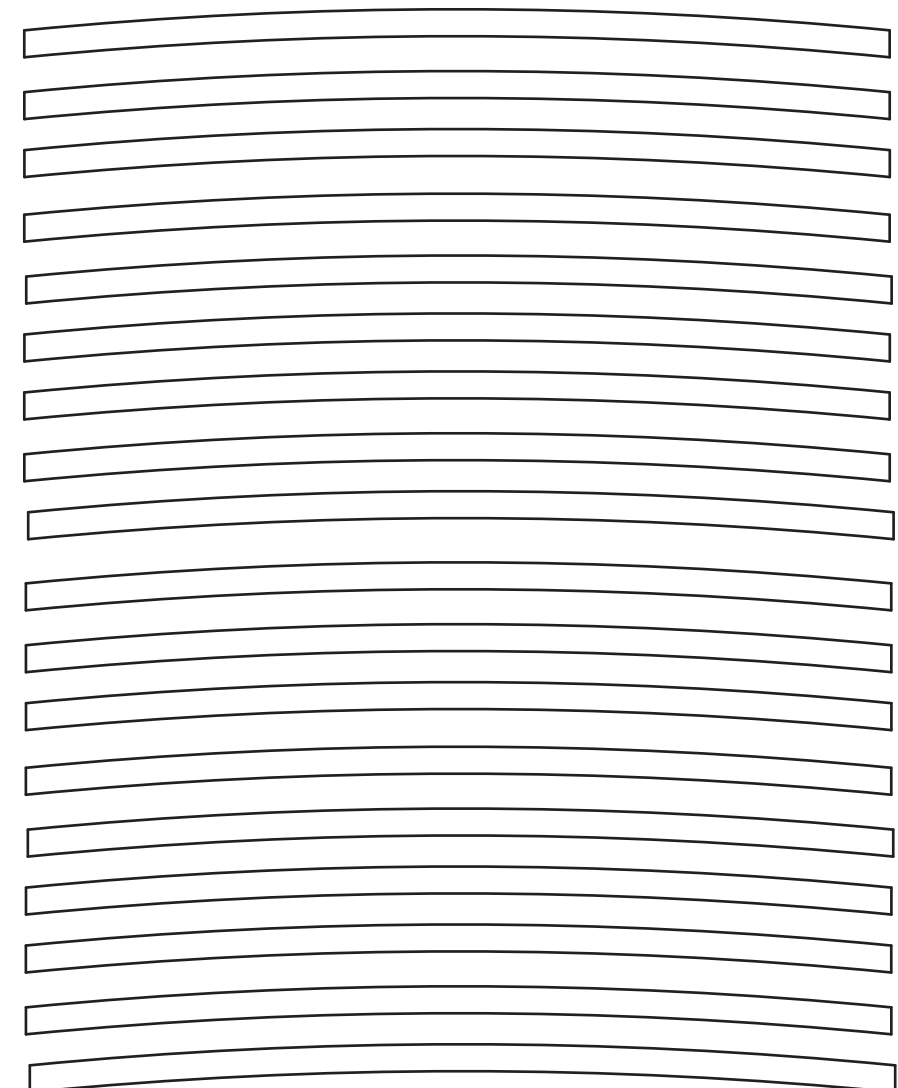
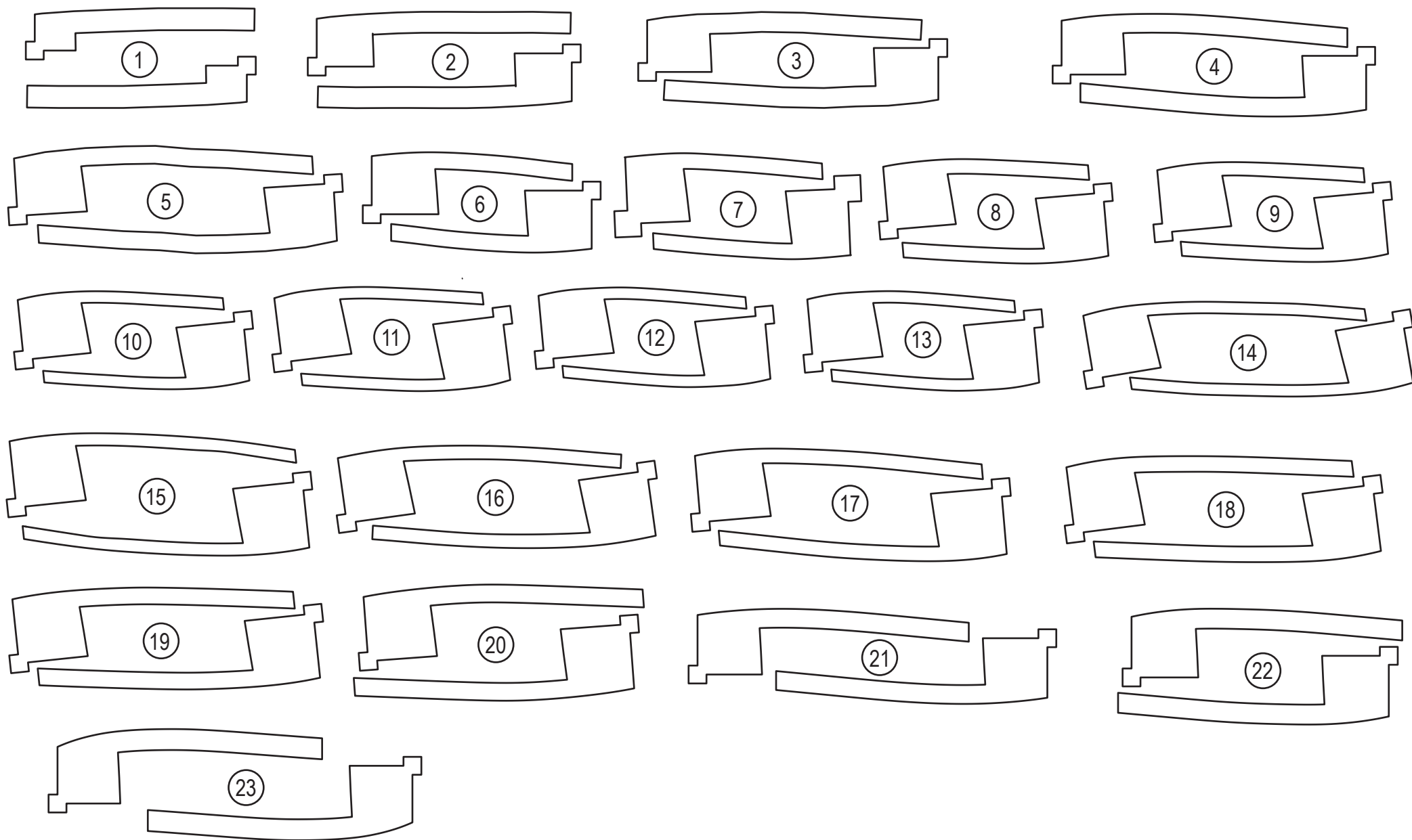
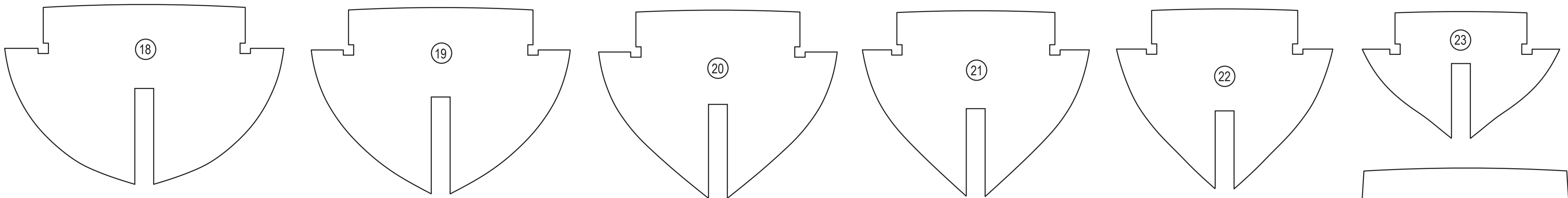
John Cabot's Ship
THE MATTHEW

BULKHEADS

DWG NO
MAT-2009-007

SCALE
1/4" = 1'-0"

SHEET **7** OF **17**



ModelShipBuilder

PREPARED BY J. STAUDT DATE AUG. 3, 2009

CHECKED BY W. SCOVILLE DATE AUG. 6, 2009

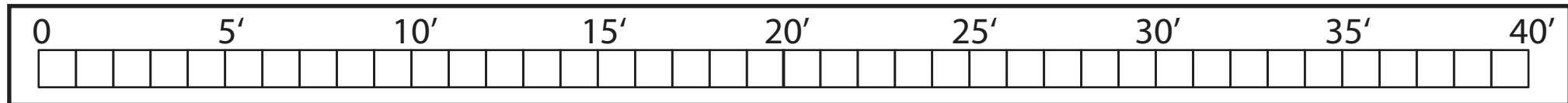
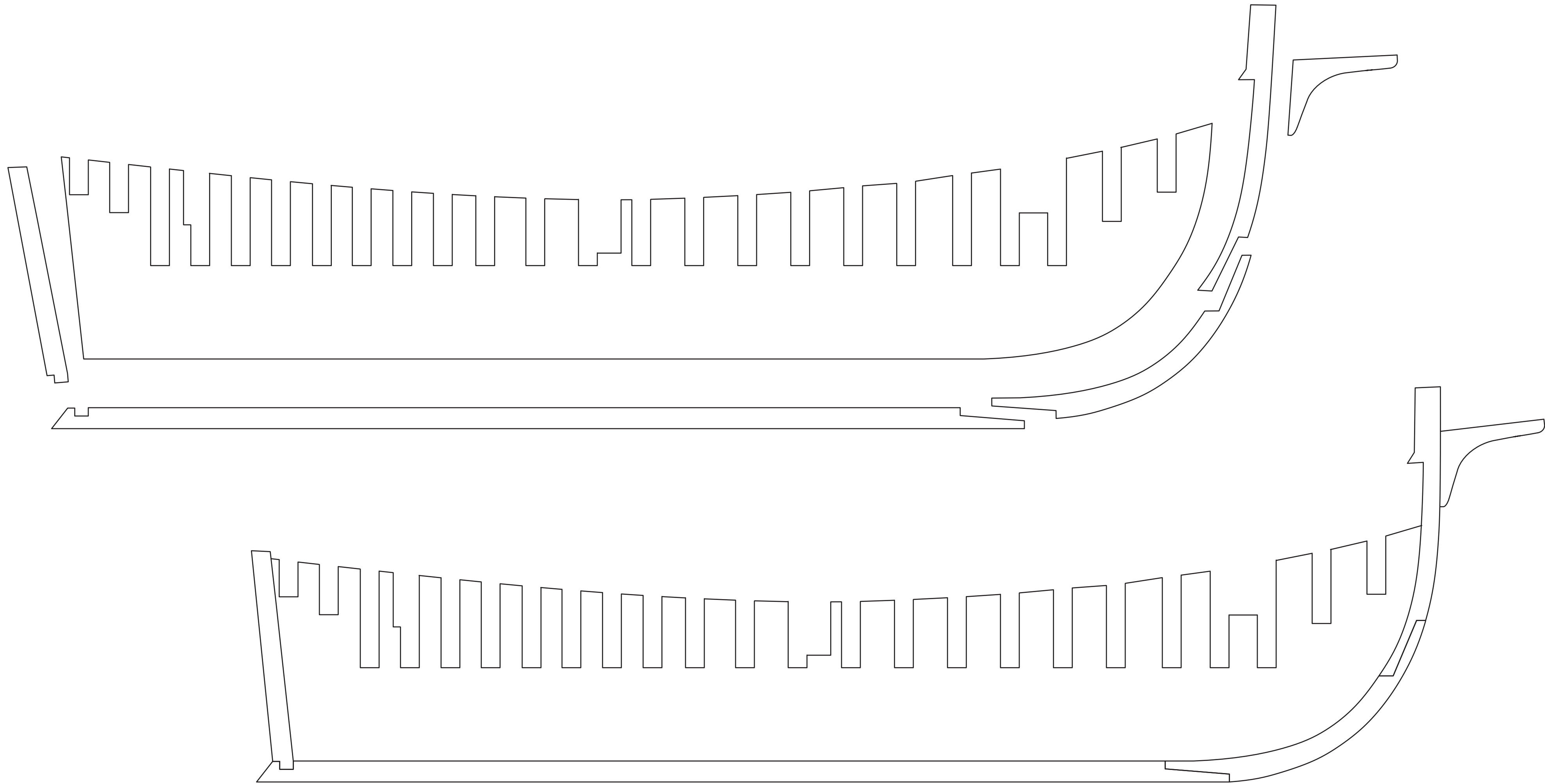
John Cabot's Ship
THE MATTHEW

TITLE
BULKHEADS

DWG NO **MAT-2009-008**

SCALE
1/4" = 1'-0"

SHEET **8** OF **17**



ModelShipBuilder

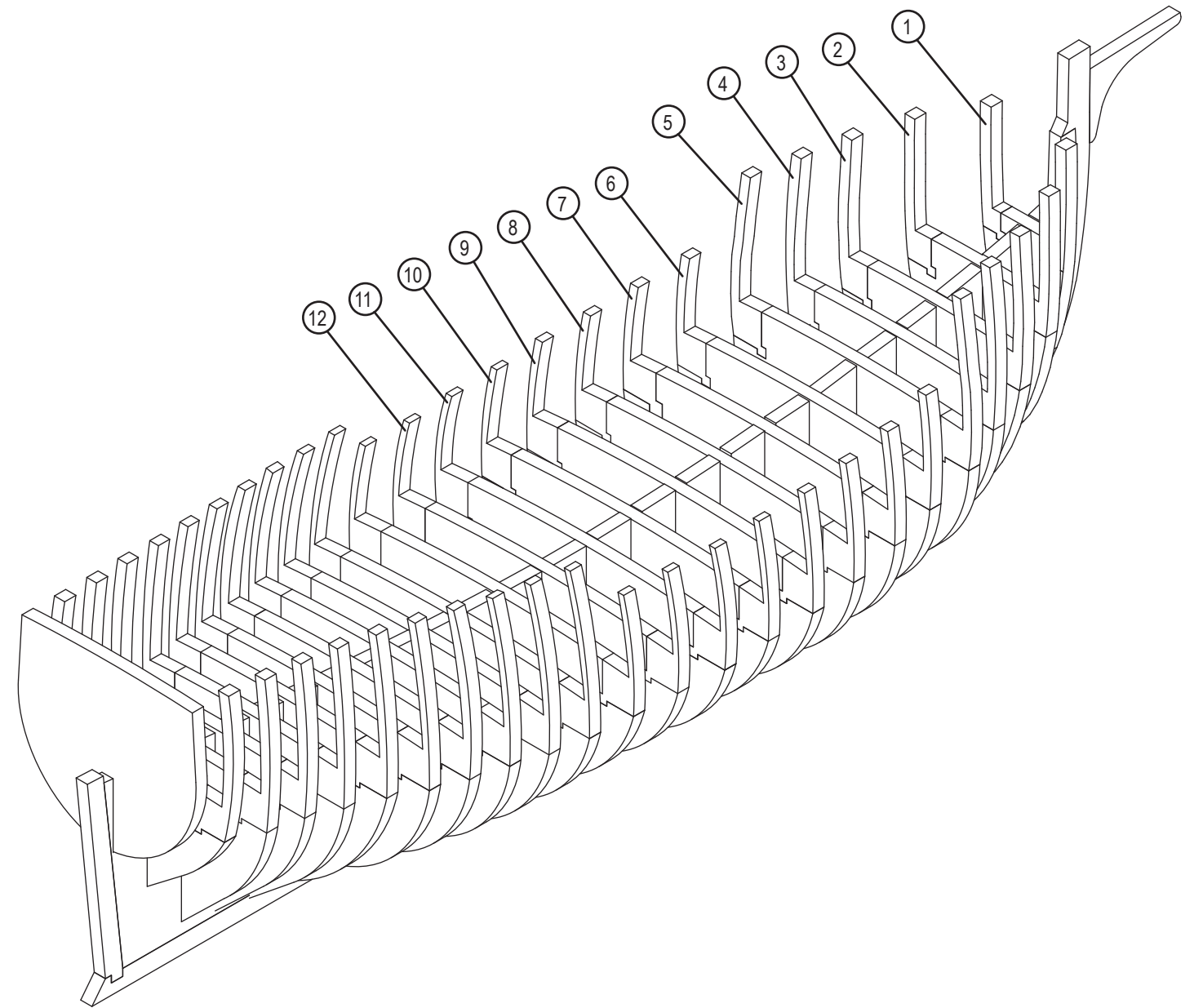
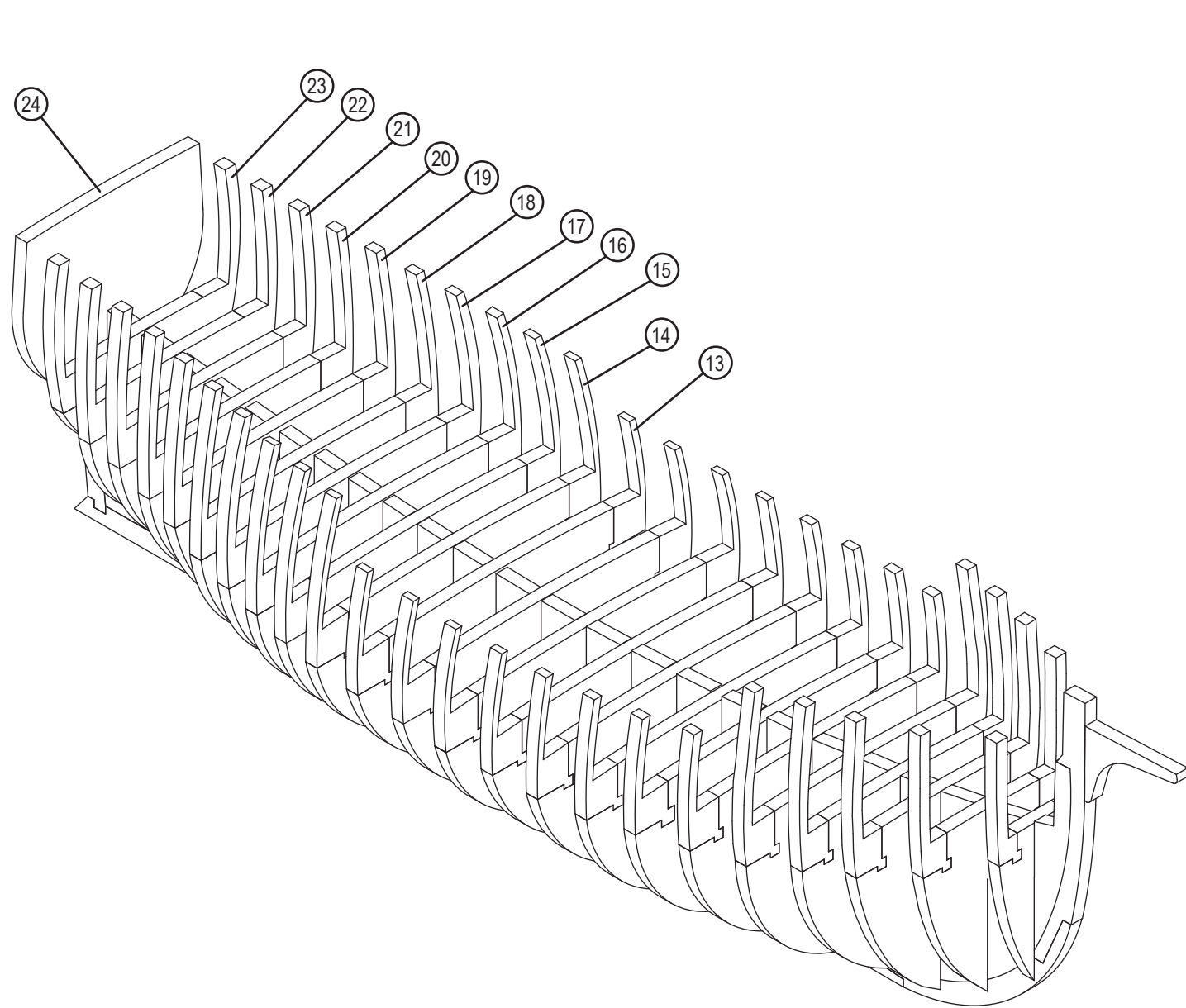
PREPARED BY
J. STAUDT

DATE
AUG. 3, 2009

CHECKED BY
W. SCOVILLE

DATE
AUG. 6, 2009

John Cabot's Ship THE MATTHEW	
TITLE BULKHEADS	
PREPARED BY J. STAUDT	DATE AUG. 3, 2009
CHECKED BY W. SCOVILLE	DATE AUG. 6, 2009
DWG NO MAT-2009-009	
SCALE 1/4" = 1'-0"	
SHEET 9 OF 17	



ModelShipBuilder

PREPARED BY
J. STAUDT

DATE
AUG. 3, 2009

CHECKED BY
W. SCOVILLE

DATE
AUG. 6, 2009

TITLE

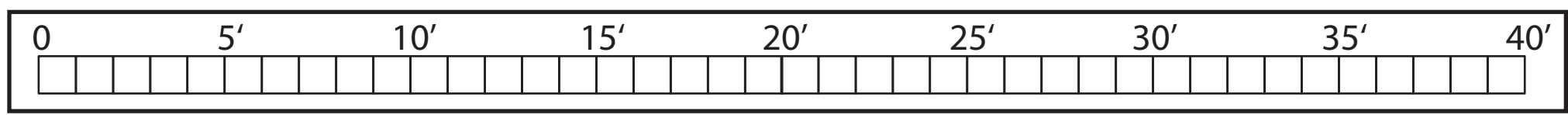
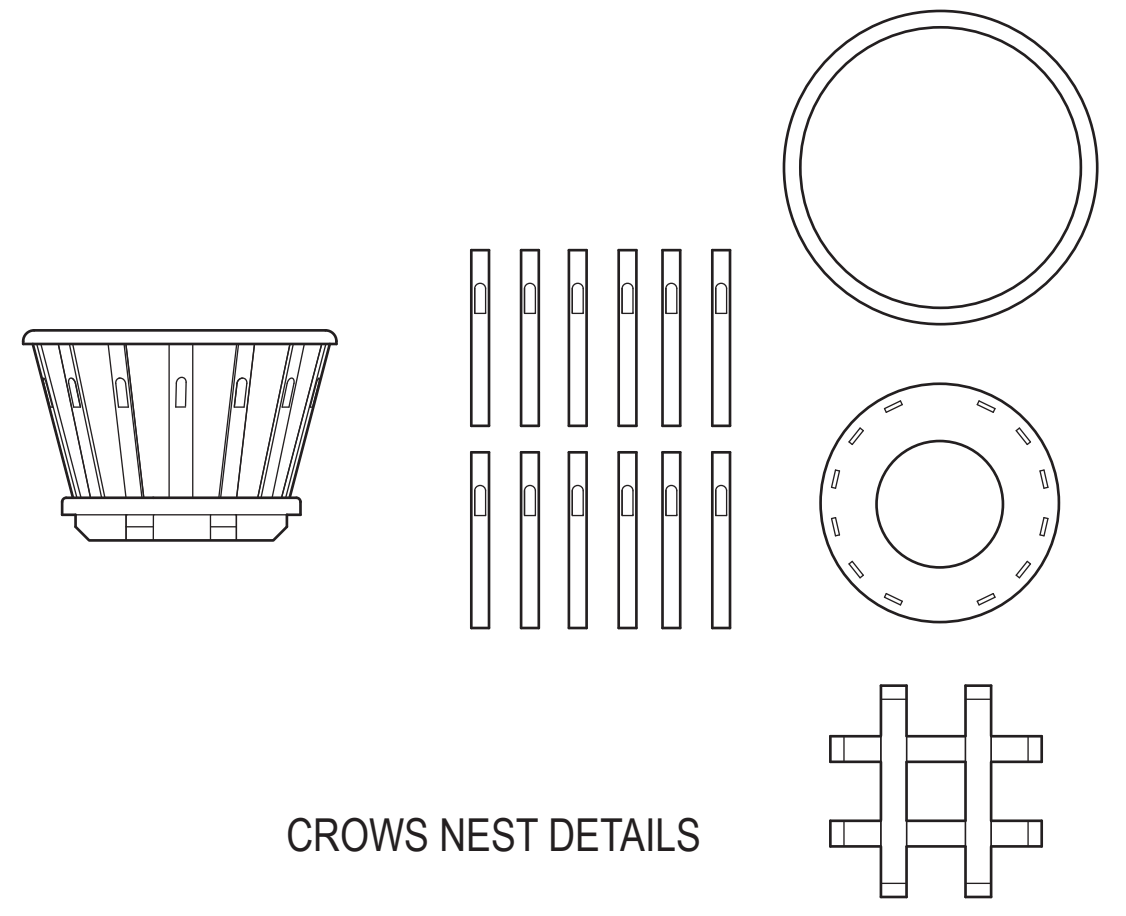
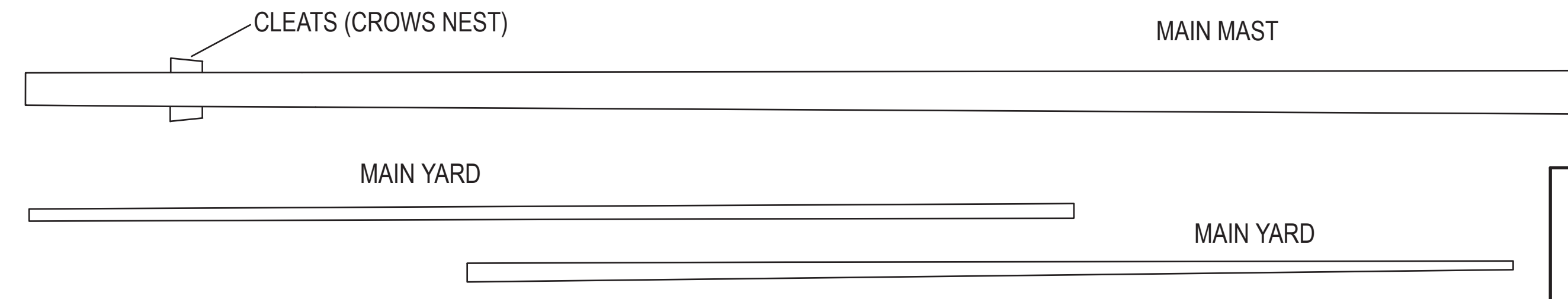
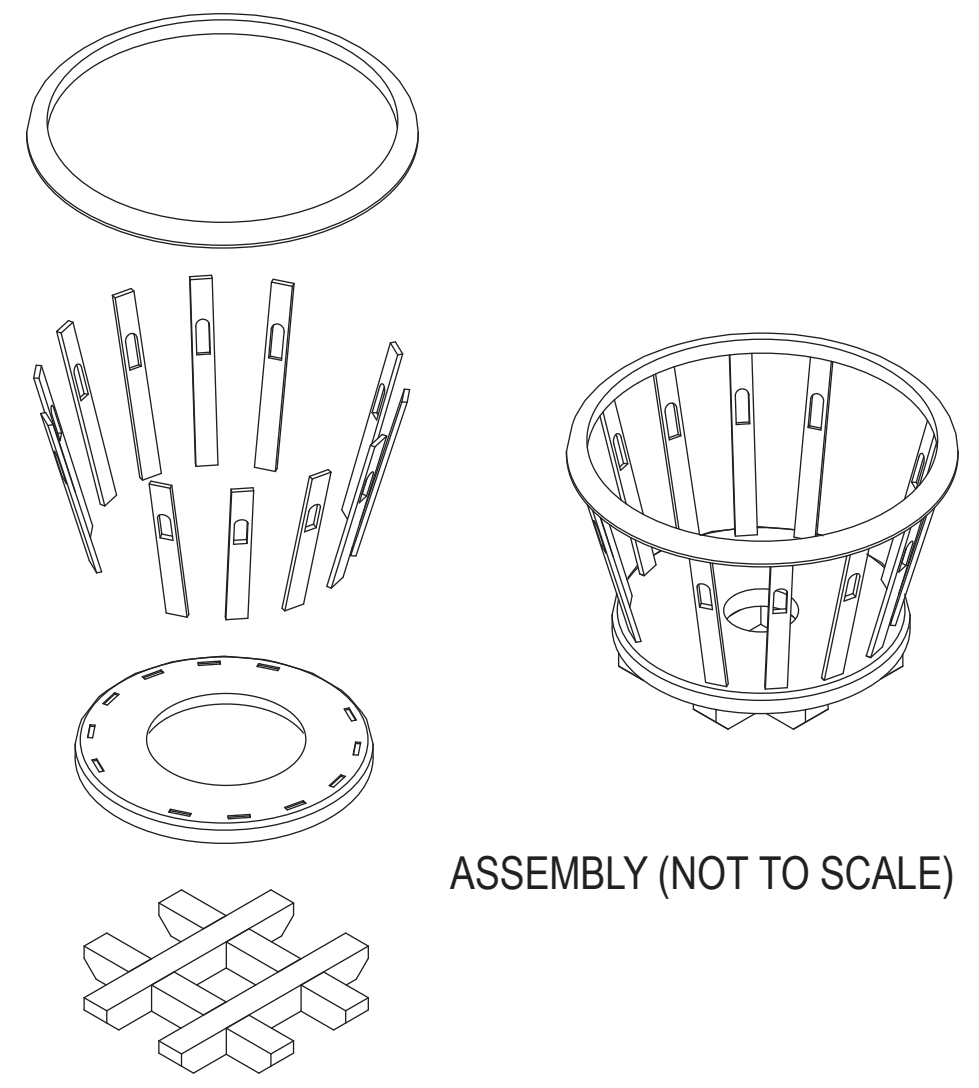
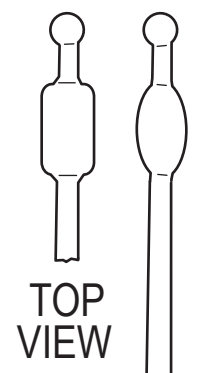
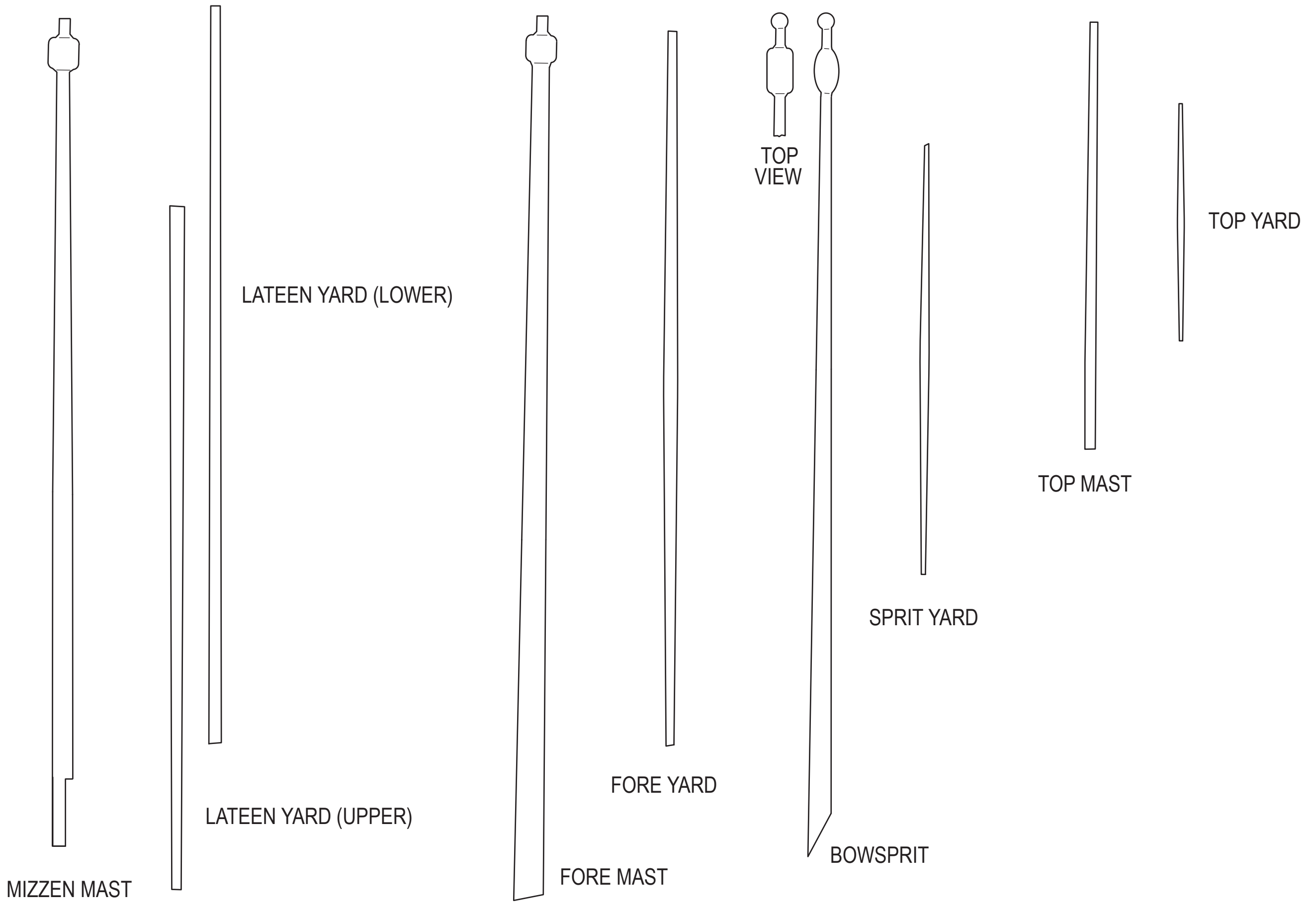
John Cabot's Ship
THE MATTHEW


BULKHEAD ASSEMBLY

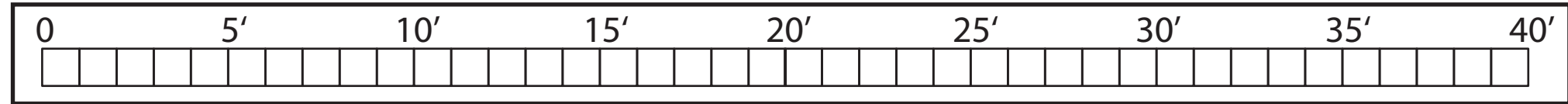
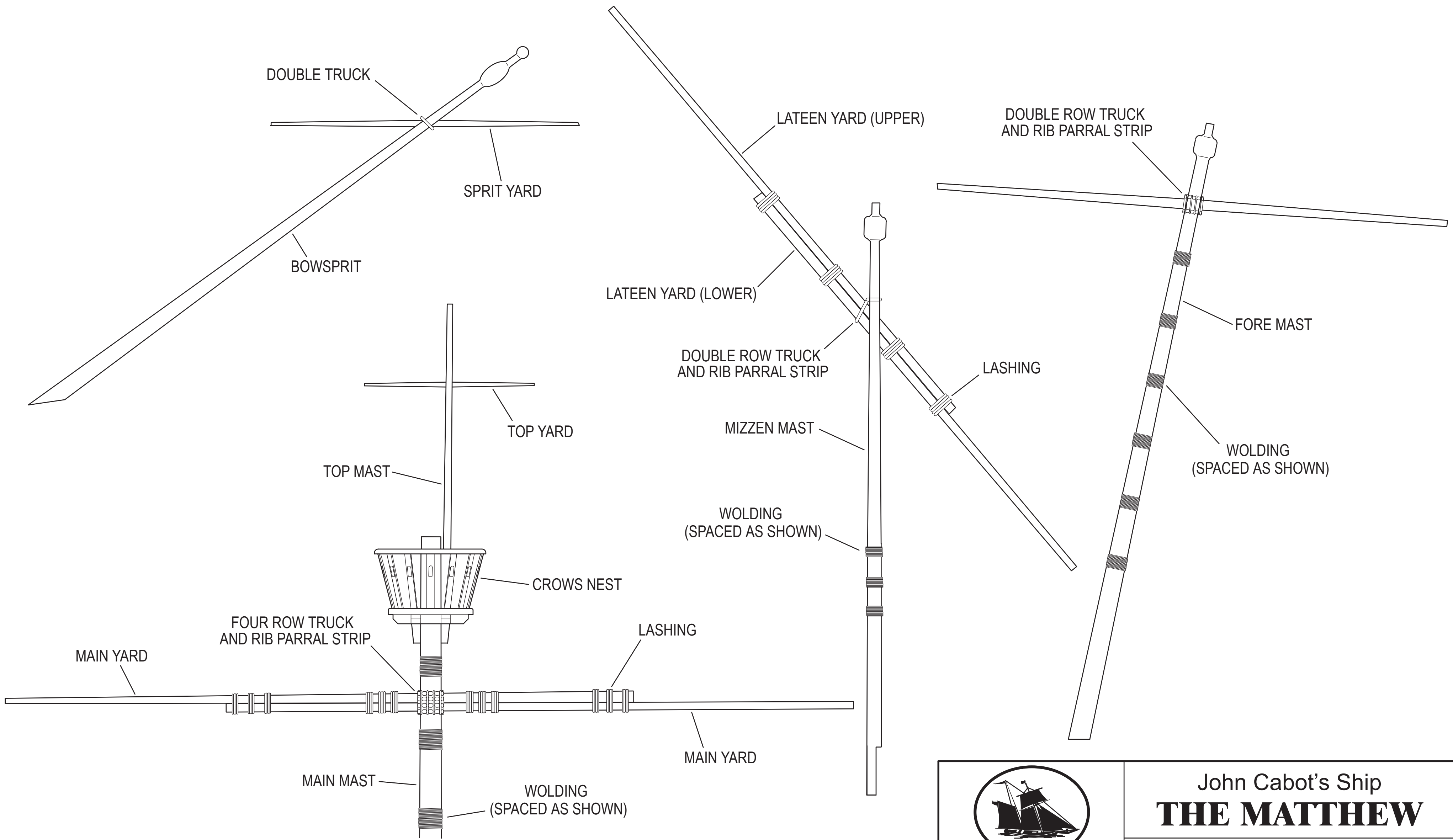
DWG NO
MAT-2009-010


SCALE

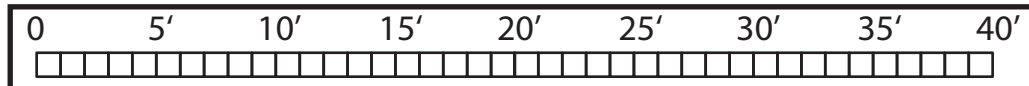
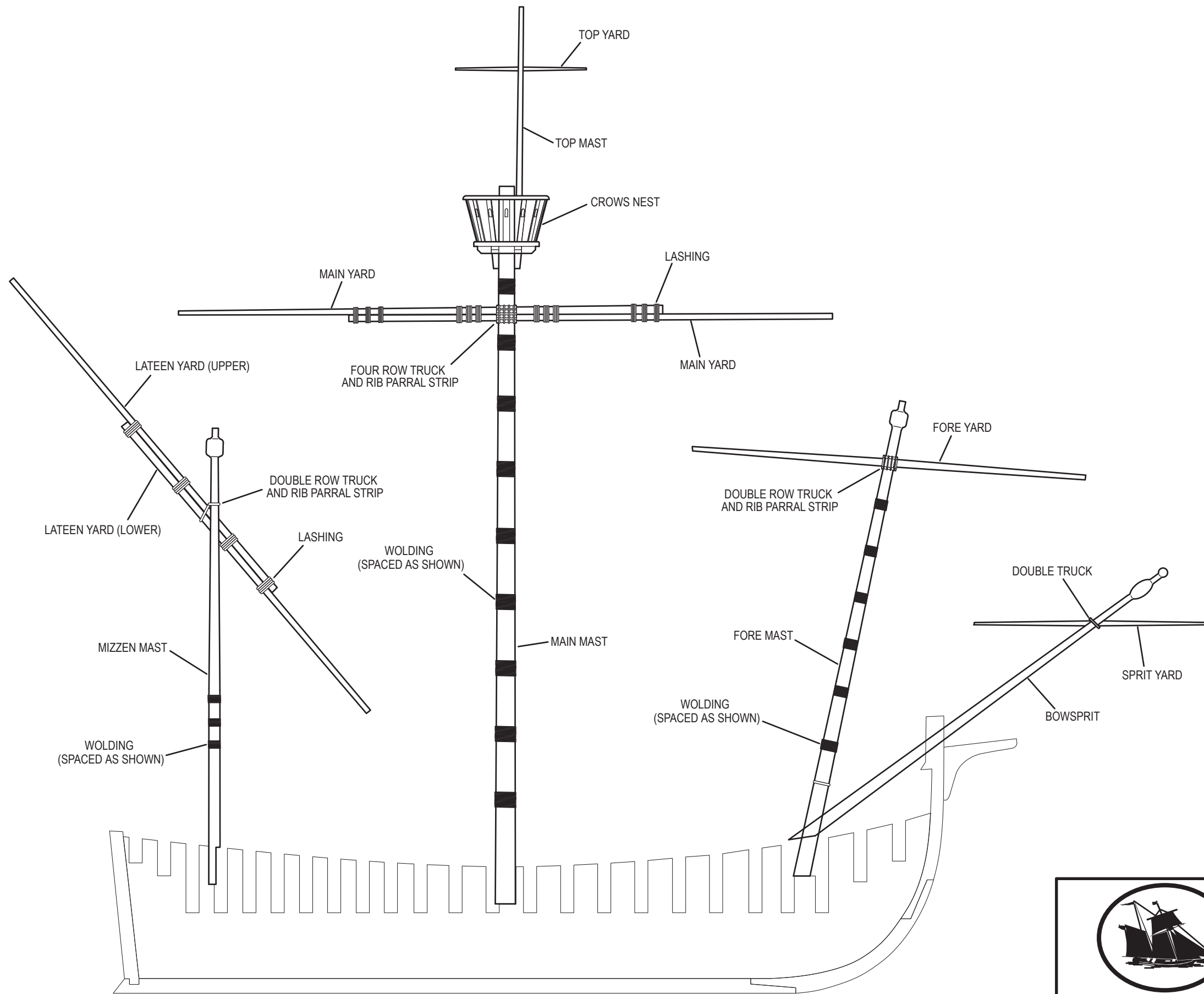
SHEET **10** OF **17**



 ModelShipBuilder		John Cabot's Ship THE MATTHEW	
		TITLE MASTS & YARDS	
PREPARED BY J. STAUDT	DATE AUG. 3, 2009	DWG NO MAT-2009-011	
CHECKED BY W. SCOVILLE	DATE AUG. 6, 2009	SCALE 1/4" = 1'-0"	SHEET 11 OF 17



 ModelShipBuilder	John Cabot's Ship THE MATTHEW	
	TITLE MASTS & YARDS	
PREPARED BY J. STAUDT	DATE AUG. 3, 2009	DWG NO MAT-2009-012
CHECKED BY W. SCOVILLE	DATE AUG. 6, 2009	SCALE 1/4" = 1'-0"
		SHEET 12 OF 17



ModelShipBuilder

PREPARED BY
J. STAUDT

DATE
AUG. 3, 2009

CHECKED BY
W. SCOVILLE

DATE
AUG. 6, 2009

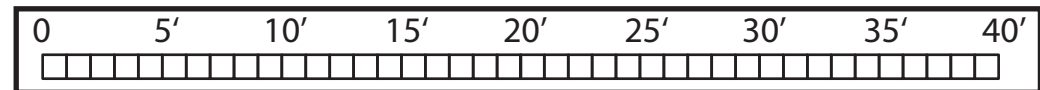
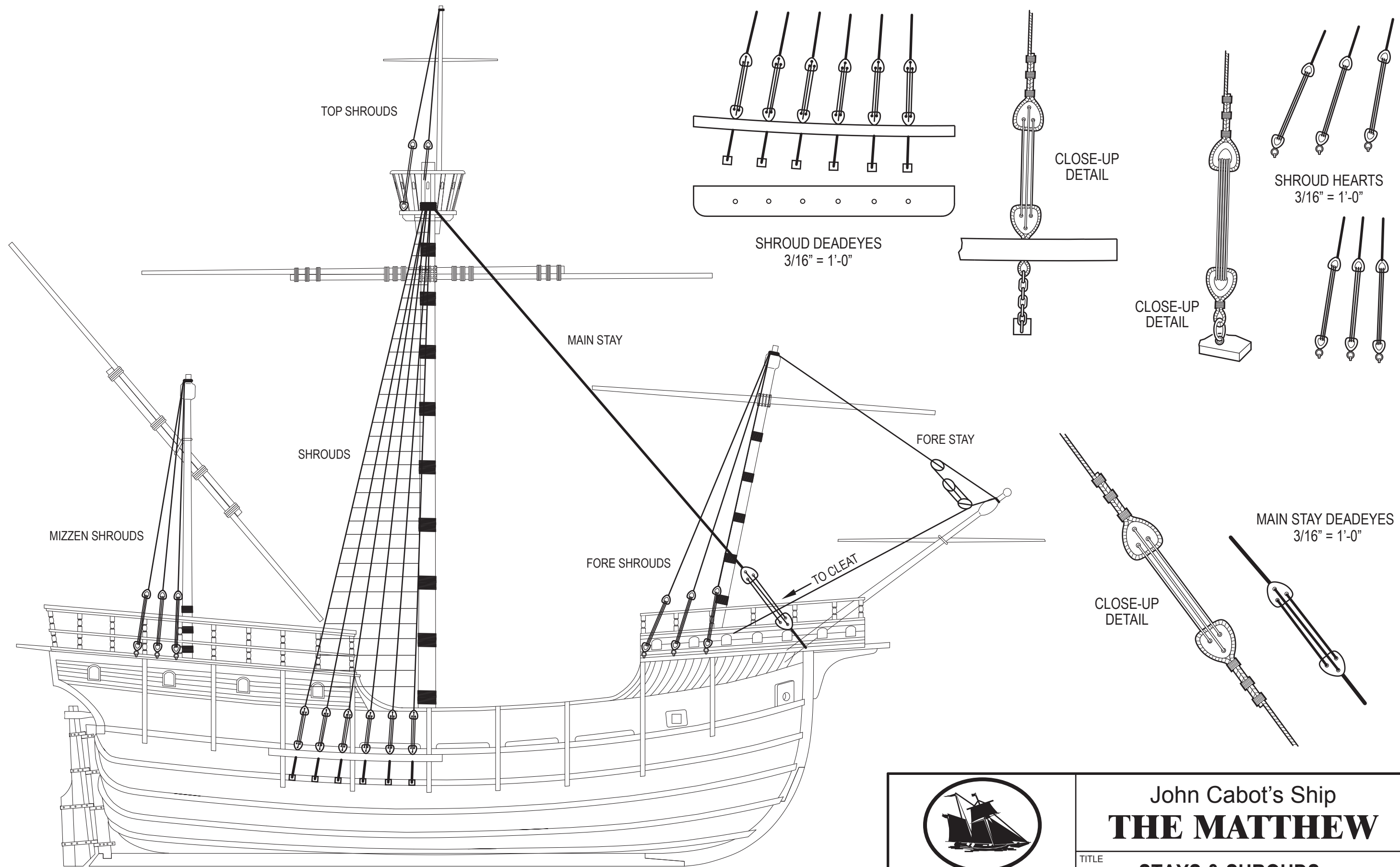
John Cabot's Ship
THE MATTHEW

TITLE
MASTS & YARDS

DWG NO
MAT-2009-013

SCALE
1/8" = 1'-0"

SHEET **13** OF **17**



ModelShipBuilder

PREPARED BY
J. STAUDT

DATE
AUG. 3, 2009

CHECKED BY
W. SCOVILLE

DATE
AUG. 6, 2009

TITLE

John Cabot's Ship
THE MATTHEW

STAYS & SHROUDS

DWG NO

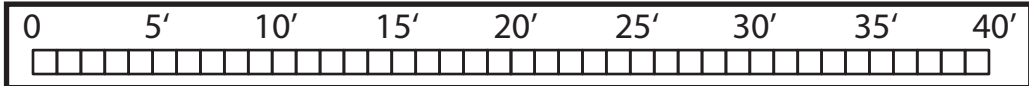
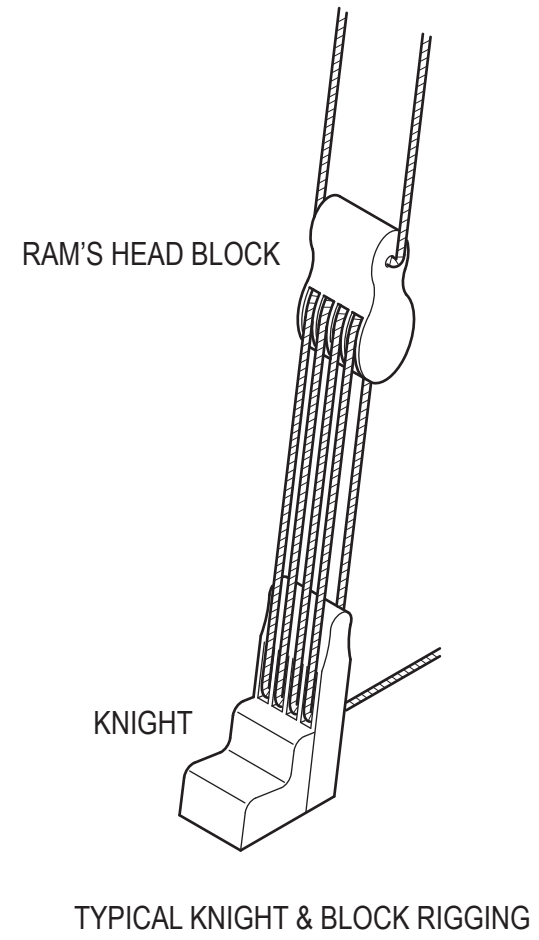
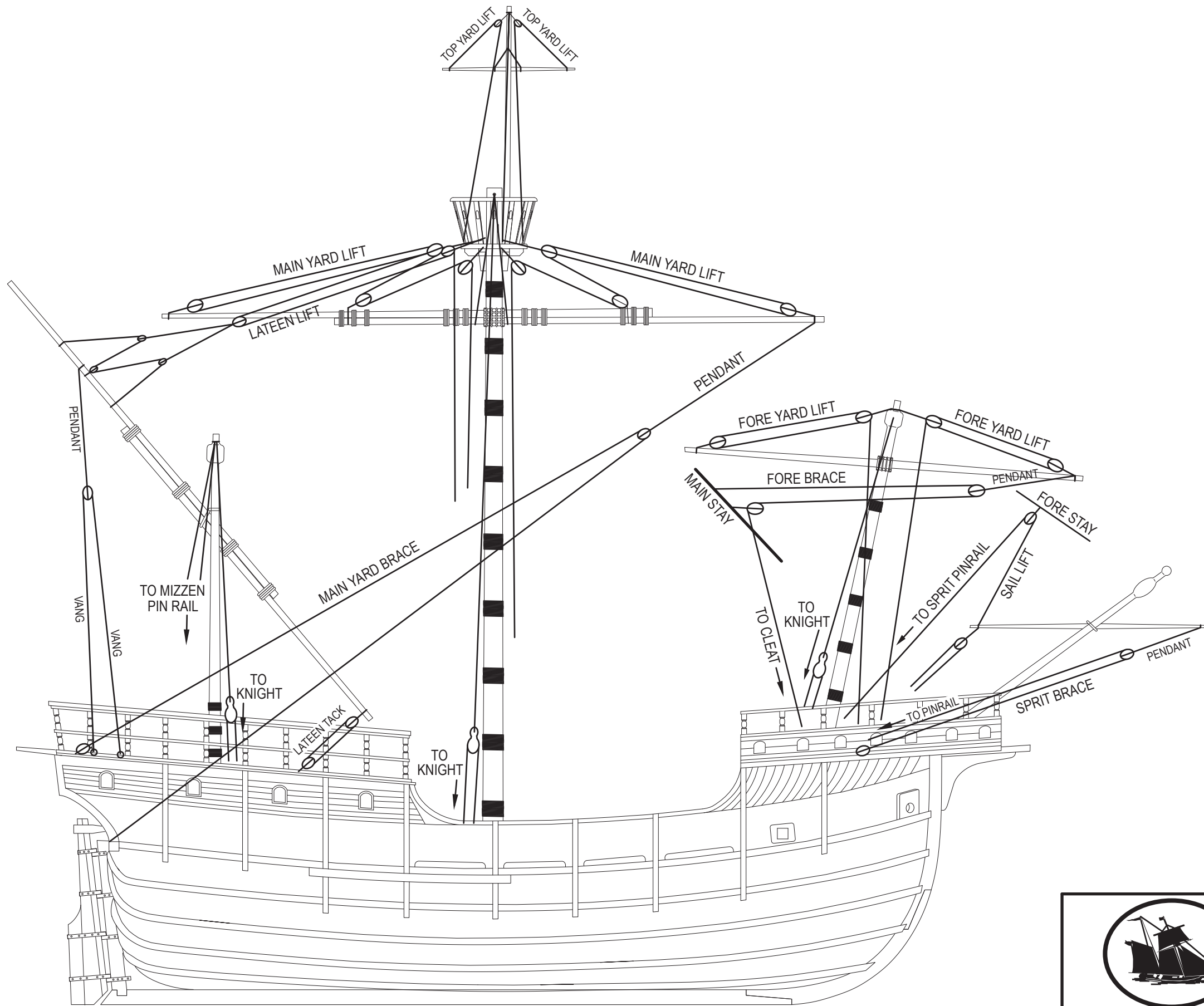
MAT-2009-014


SCALE

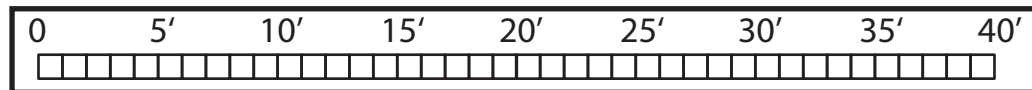
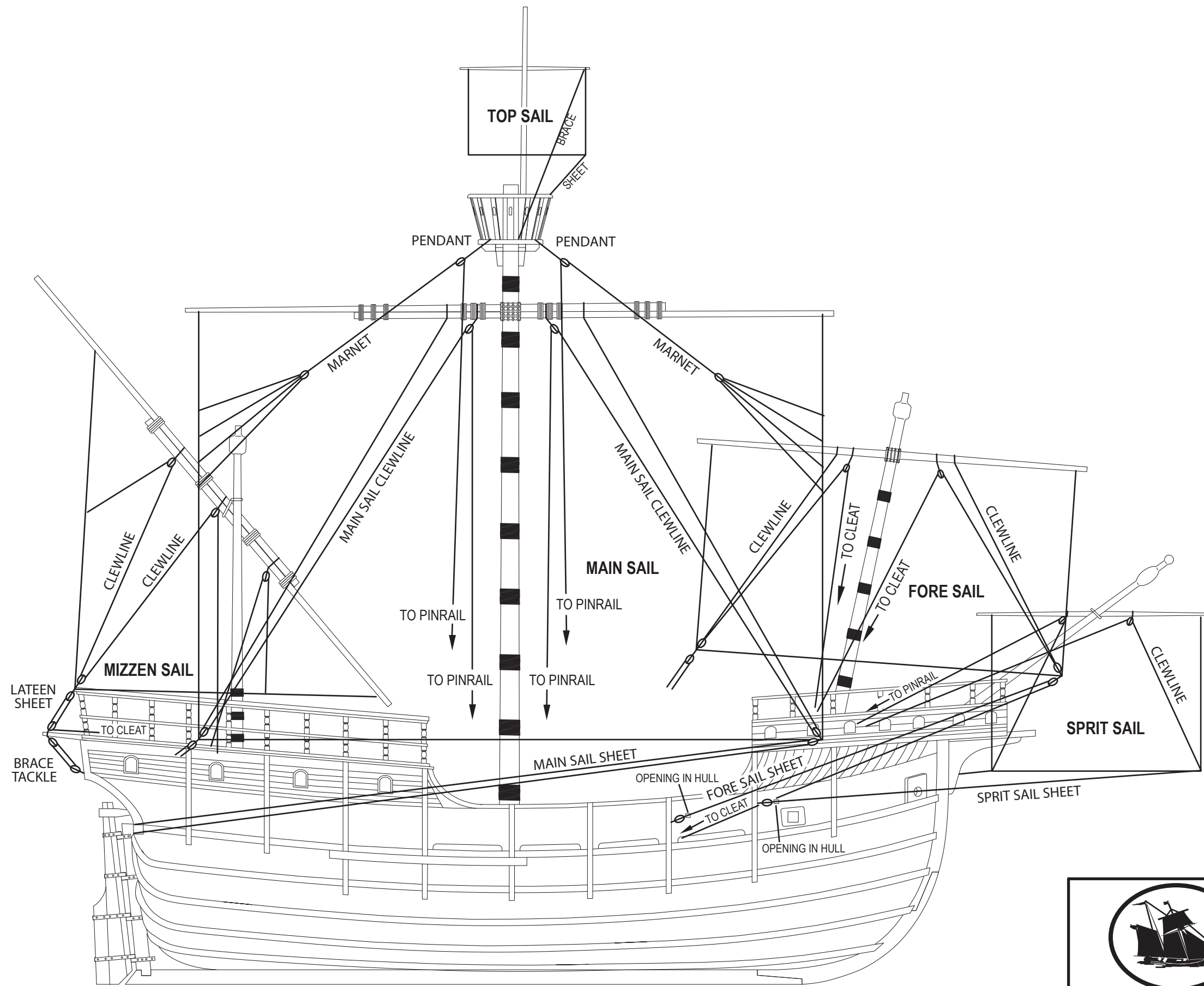
1/8" = 1'-0"

SHEET

14 OF 17



 ModelShipBuilder		John Cabot's Ship THE MATTHEW	
		TITLE RIGGING DETAILS	
PREPARED BY J. STAUDT	DATE AUG. 3, 2009	DWG NO MAT-2009-015	
CHECKED BY W. SCOVILLE	DATE AUG. 6, 2009	SCALE 1/8" = 1'-0"	SHEET 15 OF 17



ModelShipBuilder

PREPARED BY
J. STAUDT

DATE
AUG. 3, 2009

CHECKED BY
W. SCOVILLE

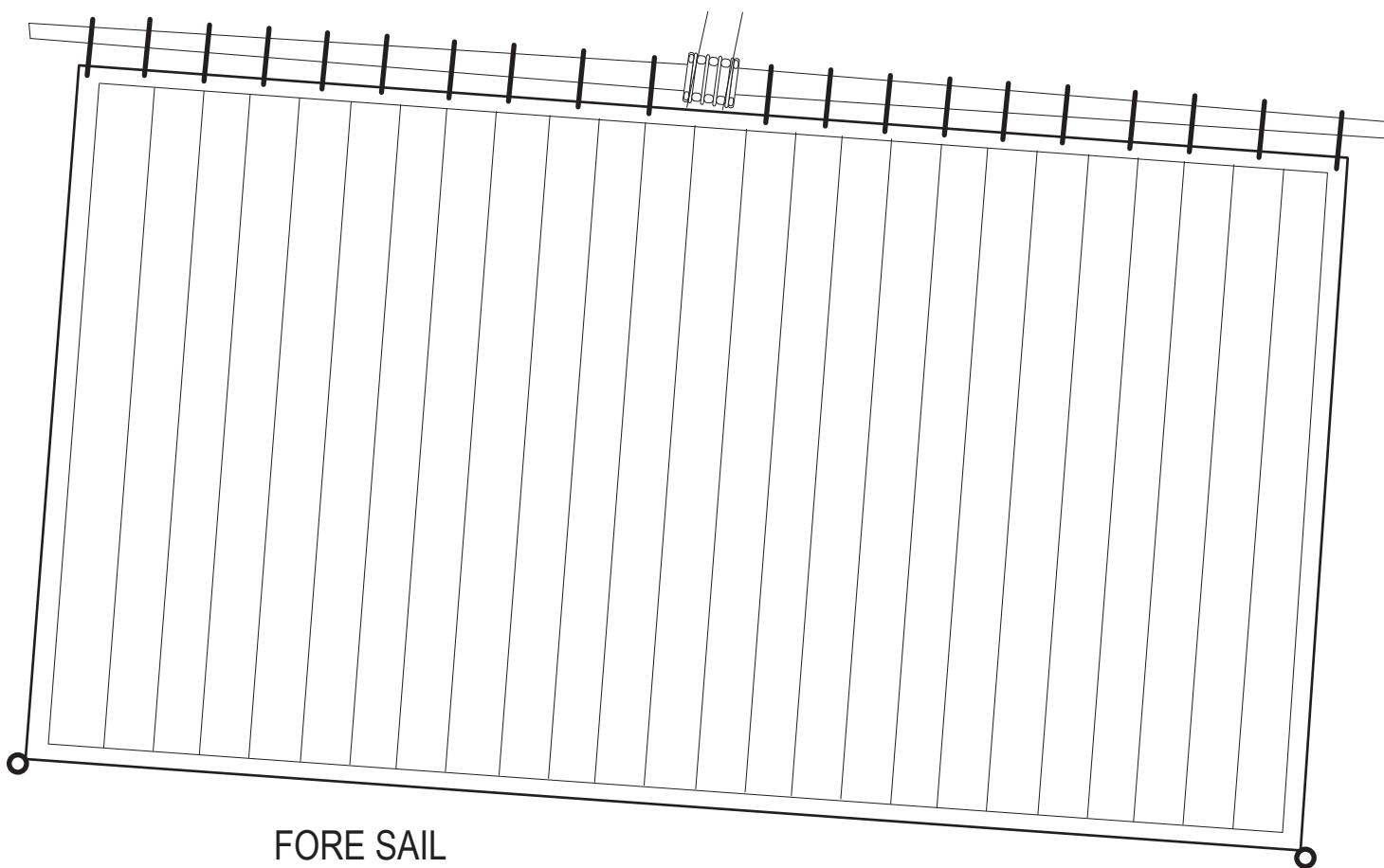
DATE
AUG. 6, 2009

TITLE
**John Cabot's Ship
THE MATTHEW
RIGGING DETAILS**

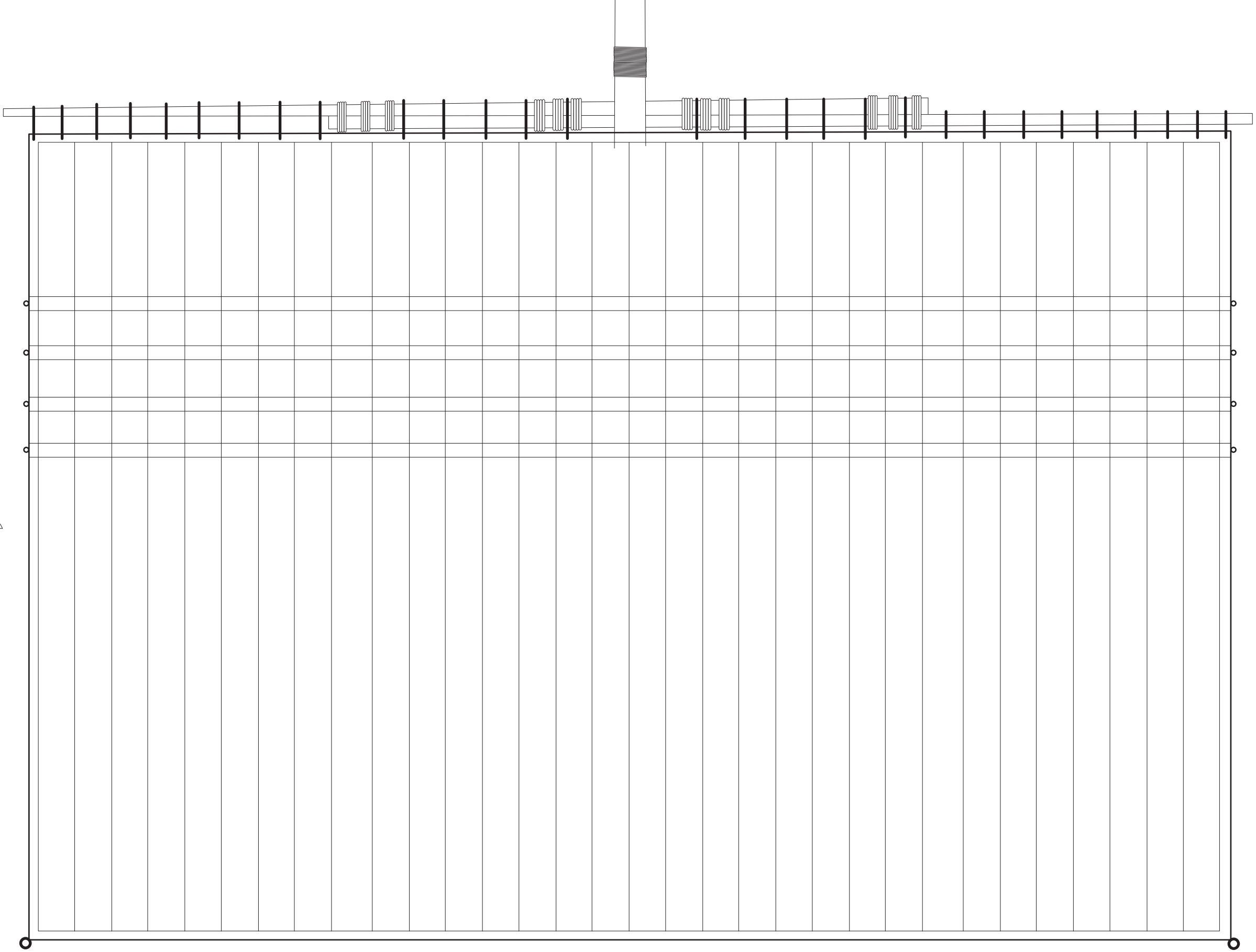
DWG NO
MAT-2009-016

SCALE
1/8" = 1'-0"

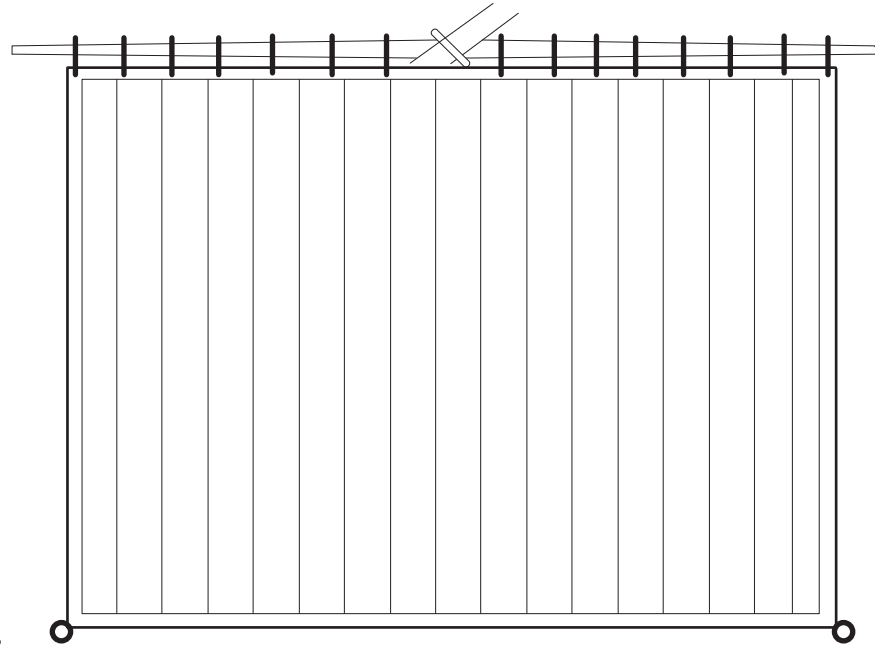
SHEET **16** OF **17**



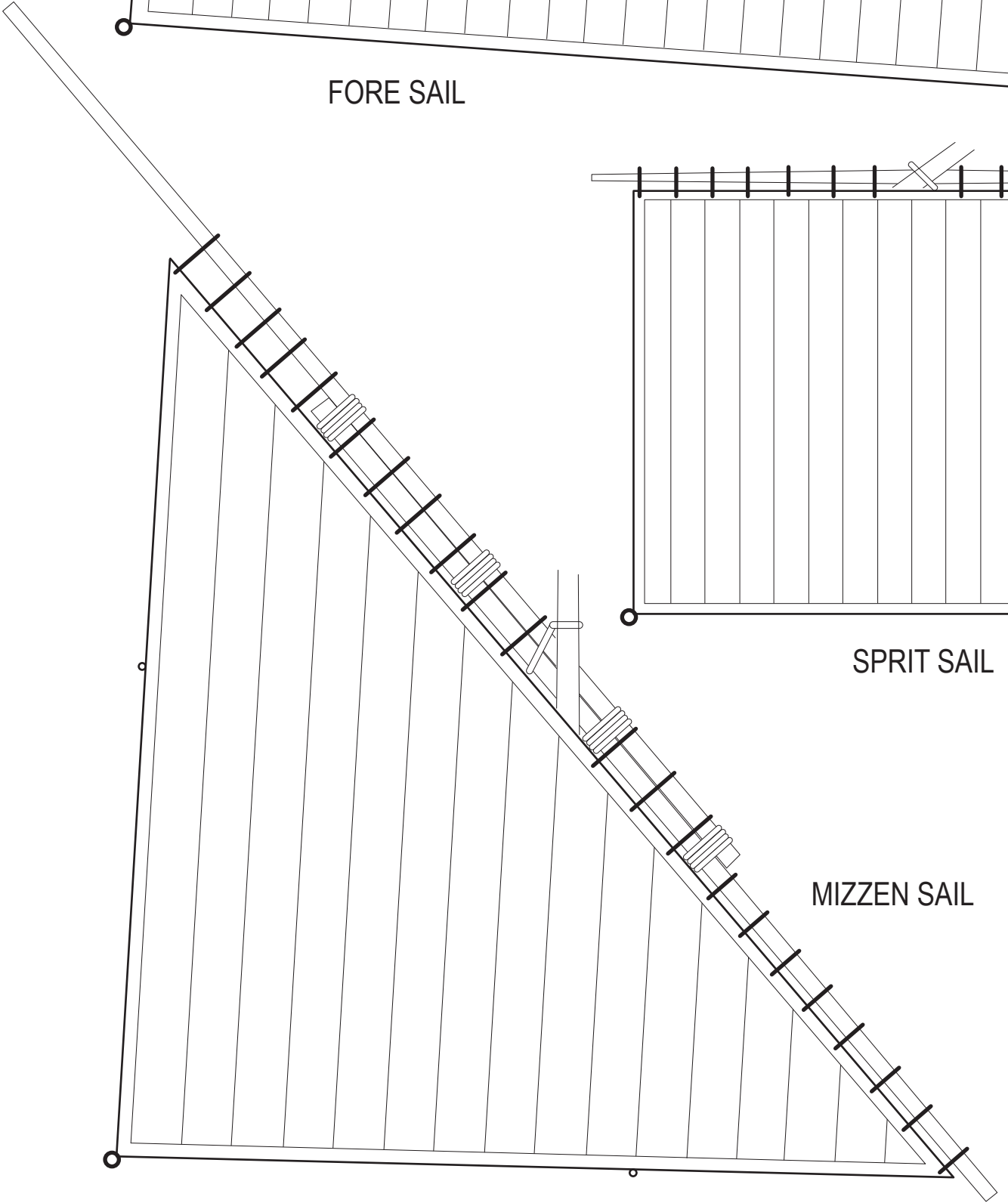
FORE SAIL



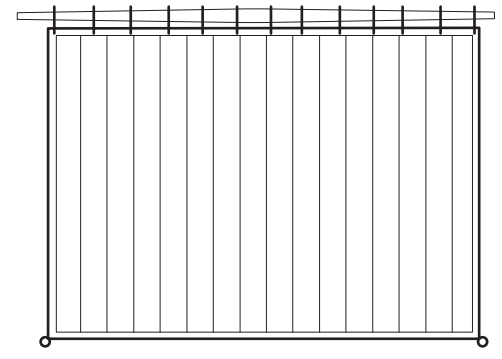
MAIN SAIL



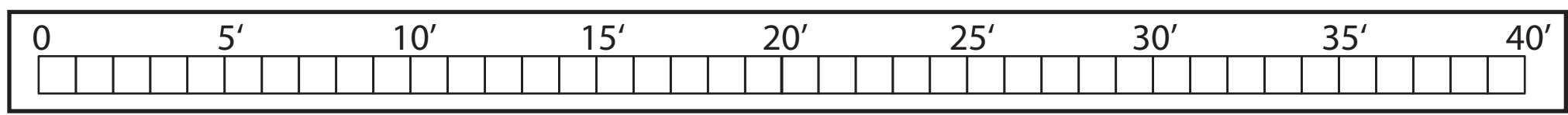
SPRIT SAIL



MIZZEN SAIL



TOP SAIL



ModelShipBuilder

PREPARED BY
J. STAUDT

DATE
AUG. 3, 2009

CHECKED BY
W. SCOVILLE

DATE
AUG. 6, 2009

SCALE
1/4" = 1'-0"

John Cabot's Ship
THE MATTHEW

TITLE
SAIL DETAILS

DWG NO
MAT-2009-017

SHEET **17** OF **17**