

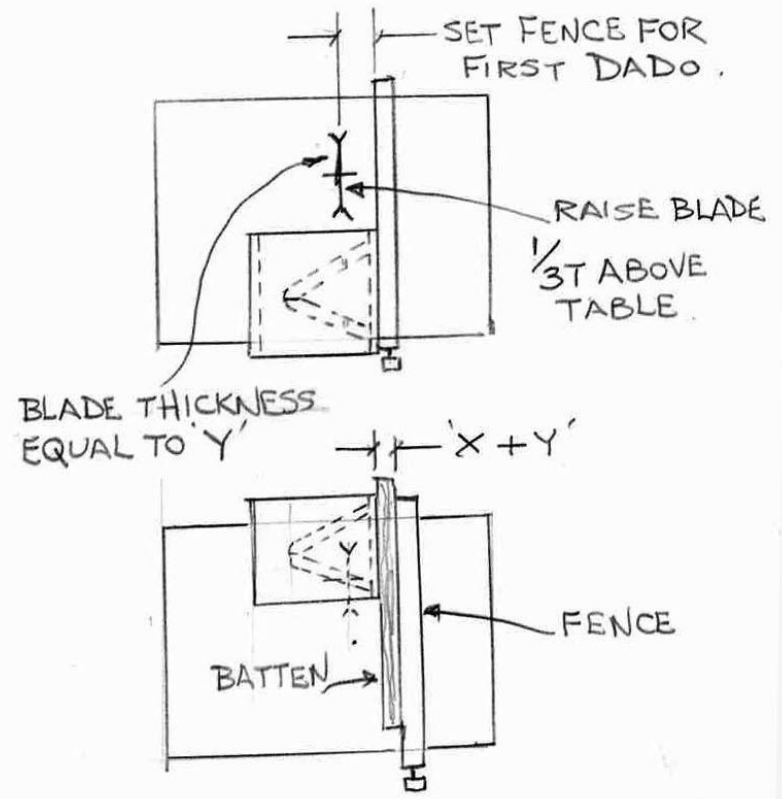
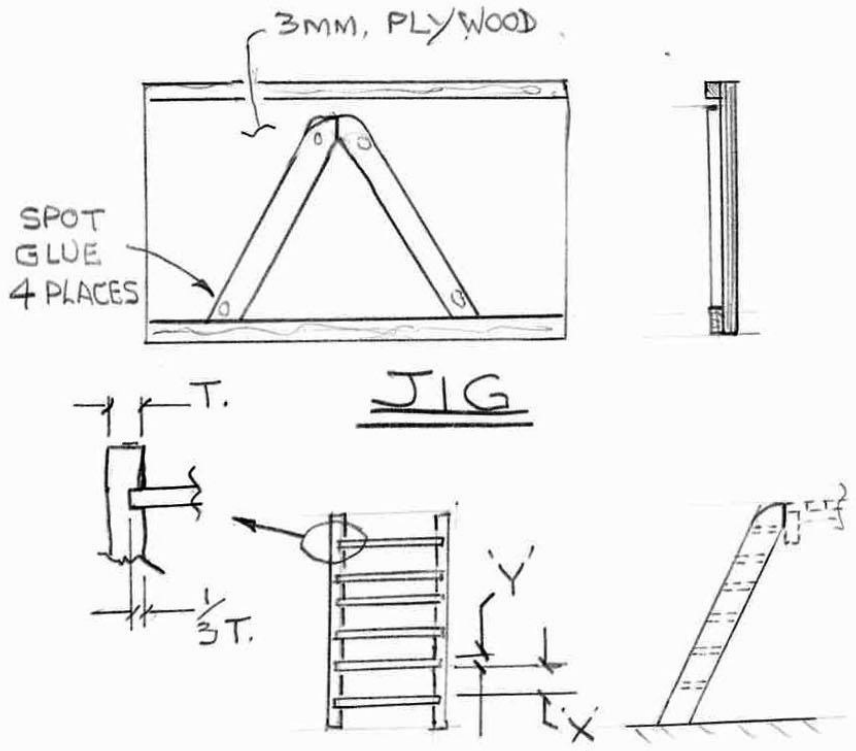
# Ship's Ladders

There were four ladders to make on *La Belle Poule*, going down from the quarter deck and foc'sle to the gun deck and this jig cuts out a lot of work. Still was a fiddly job assembling the ladders, but if you glue in the top and bottom steps first and wait a few minutes for it to "tack", the assembly becomes easier to handle.

The construction of the jig is shown on the following page.

On the back of the jig it's best to draw where the stringers are located so that you know the jig has fully cut the dados.

# SHIPS LADDERS ON THE TABLE SAW.



1. HOLD JIG ON TABLE AFTER CUTTING FIRST DADO.
2. UNLOCK FENCE, MOVE FENCE AWAY FROM JIG.
3. PLACE BATTEN AGAINST JIG, BRING UP FENCE TO BATTEN, & LOCK FENCE.
4. REMOVE BATTEN & MAKE ANOTHER DADO. — REPEAT.